

PROJECT:

LOCATION:

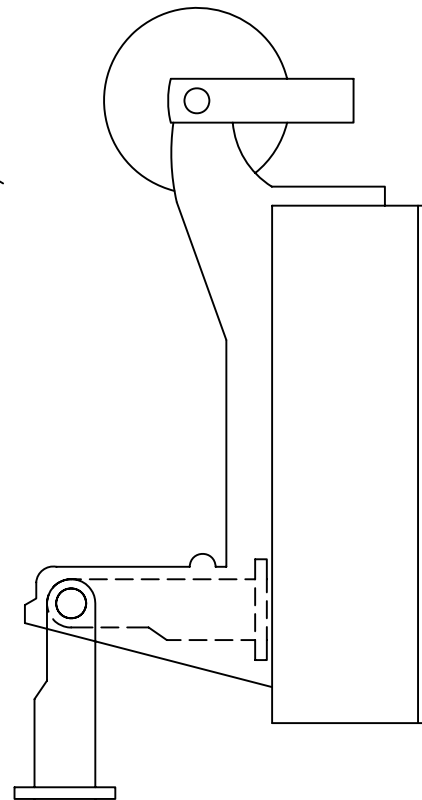
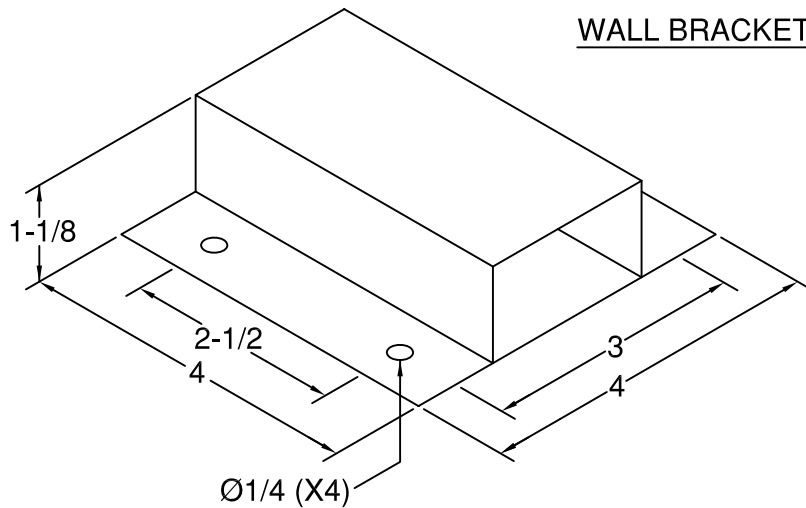
ENGINEER:

SALES ENGINEER:

ARCHITECT:

CONTRACTOR:

DATE:



SC - SAFETY CLEAT  
W/ WALL CLEAT

## SCHEDULE

ITEM	QTY	MODEL	REFERENCE
		SC	

**NOTES:**

ALL DIMENSIONS IN INCHES.

CLEAT & BRACKET ARE FACTORY ASSEMBLED.

BRACKET CONSTRUCTED OF 20 GAUGE GALVANIZED STEEL.

SAFETY CLEAT CONSTRUCTED OF ELECTROPLATED STEEL.