

PROJECT:

LOCATION:

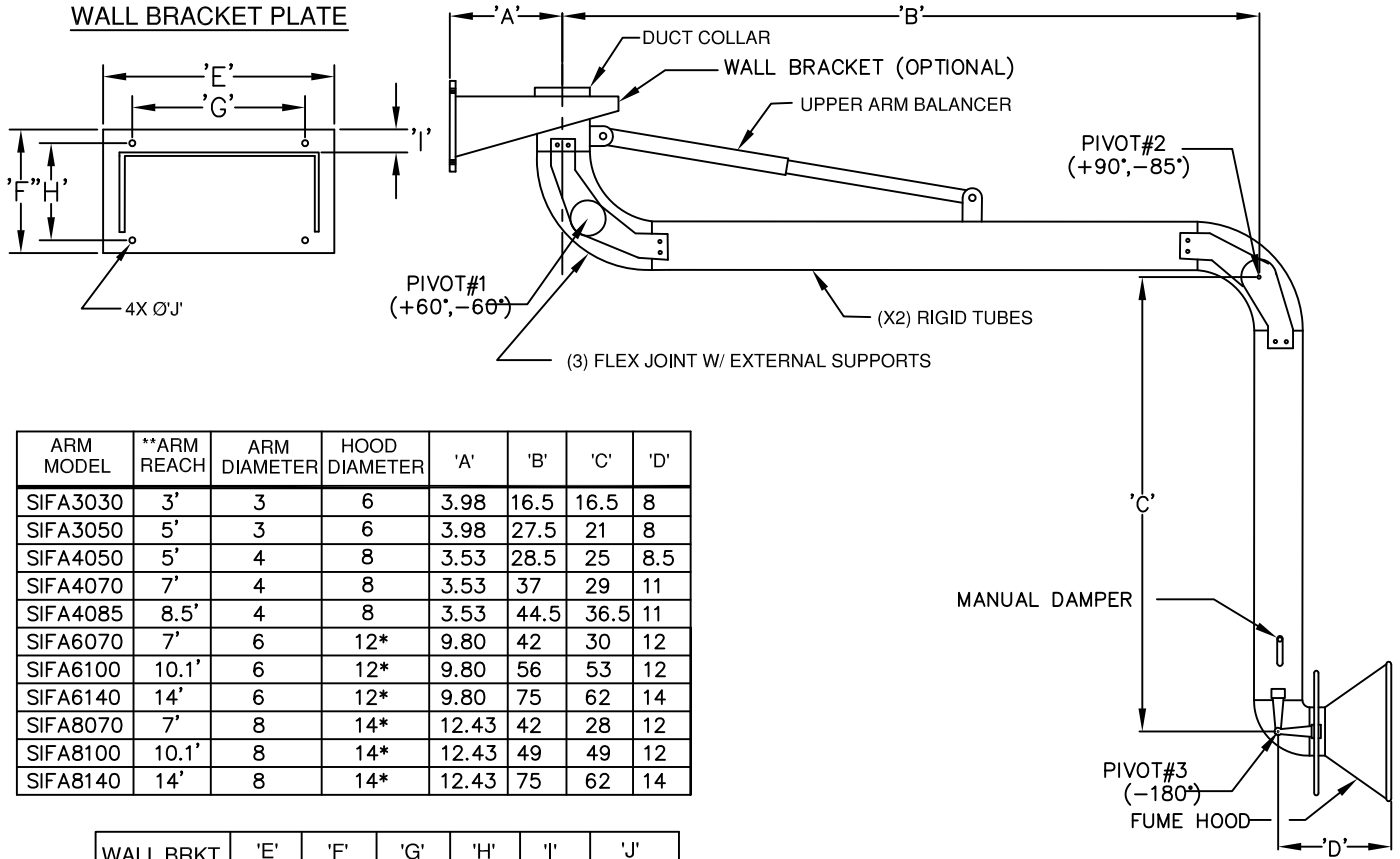
ENGINEER:

SALES ENGINEER:

ARCHITECT:

CONTRACTOR:

DATE:



ARM MODEL	**ARM REACH	ARM DIAMETER	HOOD DIAMETER	'A'	'B'	'C'	'D'
SIFA3030	3'	3	6	3.98	16.5	16.5	8
SIFA3050	5'	3	6	3.98	27.5	21	8
SIFA4050	5'	4	8	3.53	28.5	25	8.5
SIFA4070	7'	4	8	3.53	37	29	11
SIFA4085	8.5'	4	8	3.53	44.5	36.5	11
SIFA6070	7'	6	12*	9.80	42	30	12
SIFA6100	10.1'	6	12*	9.80	56	53	12
SIFA6140	14'	6	12*	9.80	75	62	14
SIFA8070	7'	8	14*	12.43	42	28	12
SIFA8100	10.1'	8	14*	12.43	49	49	12
SIFA8140	14'	8	14*	12.43	75	62	14

WALL BRKT	'E'	'F'	'G'	'H'	'I'	'J'
WMF30	5.44	3.94	4.25	2.76	—	.33
WMF40	6.29	3.94	5.12	2.76	—	.33
WMF60	9.84	6.50	7.86	5.30	1.38	.43
WMF80	12.99	9.84	11.42	8.27	1.57	.43

SCHEDULE

ITEM	QTY	MODEL	REFERENCE

NOTES:

- ROTATES 350° FROM FACTORY, BUT STOP CAN BE REMOVED 360° ROTATION.
- WALL BRACKET - 7-14GA PAINTED STEEL
- RIGID TUBES - POWDER COATED STEEL (STAINLESS STEEL OPTIONAL)
- FLEXIBLE TUBING - NEOPRENE/POLYESTER
- INLET HOOD - POWDER COATED ALUMINUM.
- VOLUME DAMPER - ALUMINUM DISC W/ 1/4 TURN HANDLE.
- EXTERNAL SUPPORTS - CAST ALUMINUM
- FAN AND/OR LIGHT CONTROL SWITCHES OPTIONAL
- * CONSULT FACTORY FOR ALTERNATE HOODS
- **ARM REACH LENGTHS ARE NOMINAL
- UNLESS OTHERWISE SPECIFIED ALL DIMENSION IN INCHES.