

PROJECT:

LOCATION:

ENGINEER:

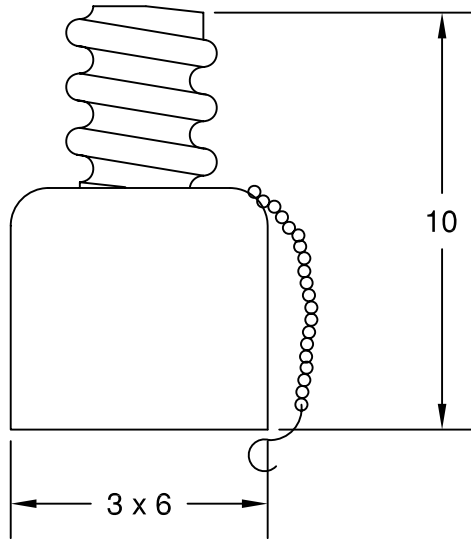
SALES ENGINEER:

ARCHITECT:

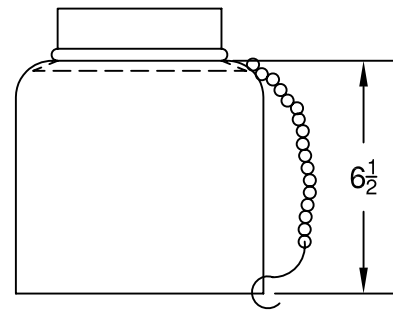
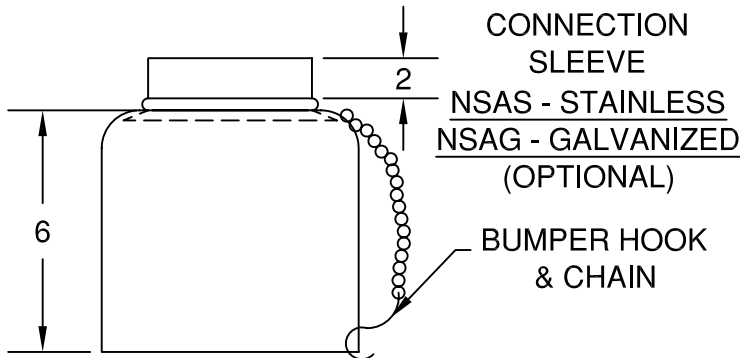
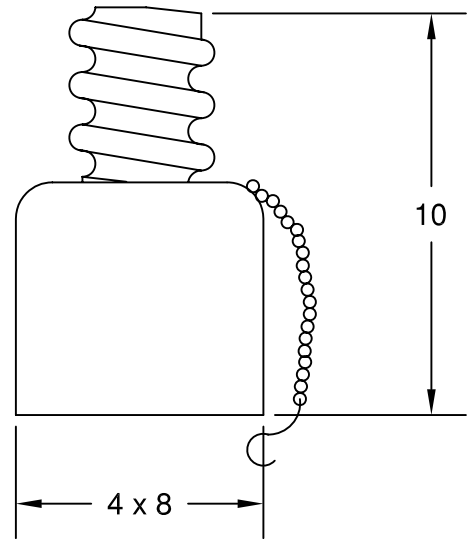
CONTRACTOR:

DATE:

**F475 - 3 OR 4  
OVAL  
(FOR TWIN OR OVAL INLETS)**



**F575 - 3 OR 4  
OVAL  
(FOR TWIN OR OVAL INLETS)**



### SCHEDULE

ITEM	QTY	MODEL	REFERENCE

**NOTES:**

ALL DIMENSIONS IN INCHES AND NOMINAL.

CONSTRUCTION: SPECIAL FORMULATED RUBBER COMPOUND DESIGNED TO WITHSTAND EXHAUST TEMPERATURES UP TO 600° F.

HOSE DIAMETERS ARE FOR MODEL N1 HOSE. OTHER HOSES REQUIRE THE THREADS BE REMOVED AND A CONNECTION SLEEVE INSTALLED.

OPTIONAL CONNECTION SLEEVES CONSTRUCTED OF 20 GA. GALV. OR STAINLESS STEEL.