

PROJECT:

LOCATION:

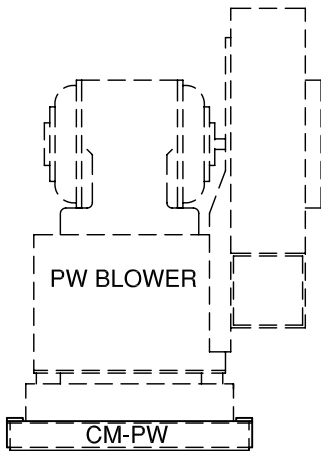
ENGINEER:

SALES ENGINEER:

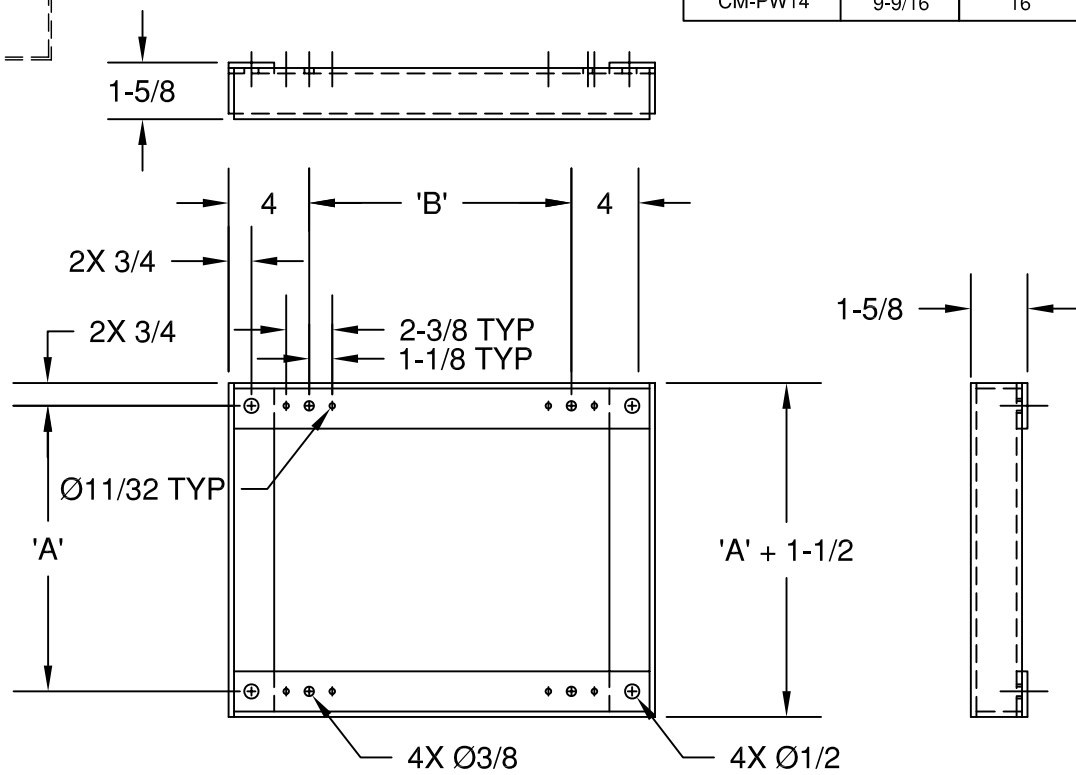
ARCHITECT:

CONTRACTOR:

DATE:



MODEL	'A'	'B'
CM-PW8	7	10
CM-PW9	7	11-1/4
CM-PW11	7-1/2	13-3/4
CM-PW12	9-3/4	16
CM-PW14	9-9/16	16



SCHEDULE

ITEM	QTY	MODEL	REFERENCE

NOTES:

ALL DIMENSIONS ARE IN INCHES.
 FRAME - 1-1/2 x 1-1/2 x 1/8 PAINTED STEEL ANGLE.
 3/8" HOLES ARE FOR FAN.
 1/2" HOLES ARE FOR SUPPORTS.