

PROJECT:

LOCATION:

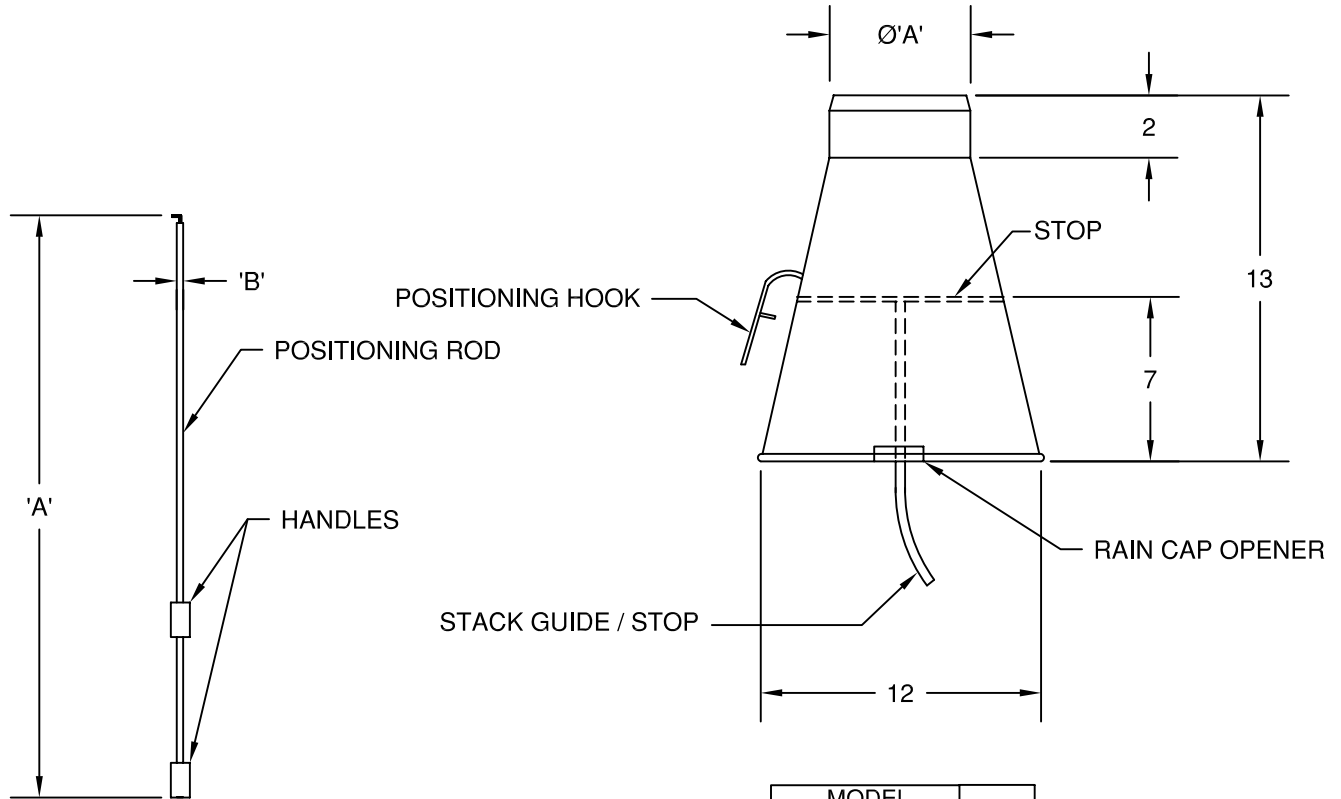
ENGINEER:

SALES ENGINEER:

ARCHITECT:

CONTRACTOR:

DATE:



MODEL	'A'	'B'
PR 8	8'	1/2
PR 10	10'	3/4

MODEL		'A'
GALV	S.S.	
DSG40	DSS40	3-7/8
DSG50	DSS50	4-7/8
DSG60	DSS60	5-7/8
DSG70	DSS70	6-7/8
DSG80	DSS80	7-7/8
DSG100	DSS100	9-7/8
DSG120	DSS120	11-7/8

### SCHEDULE

ITEM	QTY	MODEL	REFERENCE

**NOTES:**

ALL DIMENSIONS IN INCHES.

DSG - 20 GAUGE GALVANIZED STEEL SHROUD AND Ø1/4" GALVANIZED STEEL HOOK AND STACK GUIDE.

DSS - 20 GAUGE STAINLESS STEEL SHROUD AND Ø1/4" STAINLESS STEEL HOOK AND STACK GUIDE.