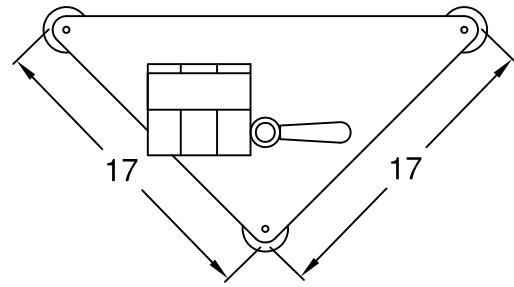
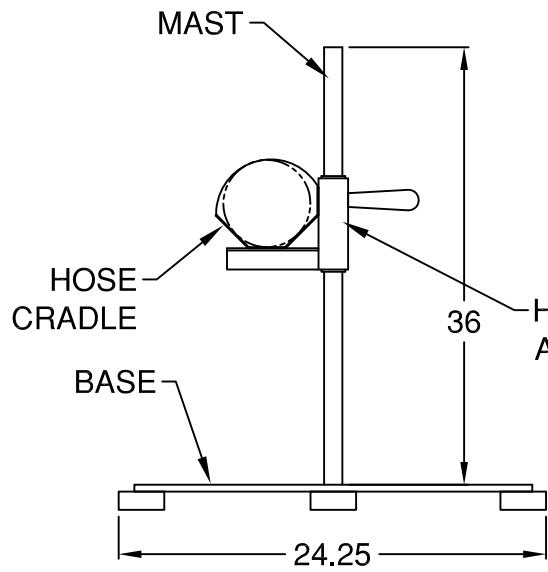


PROJECT:

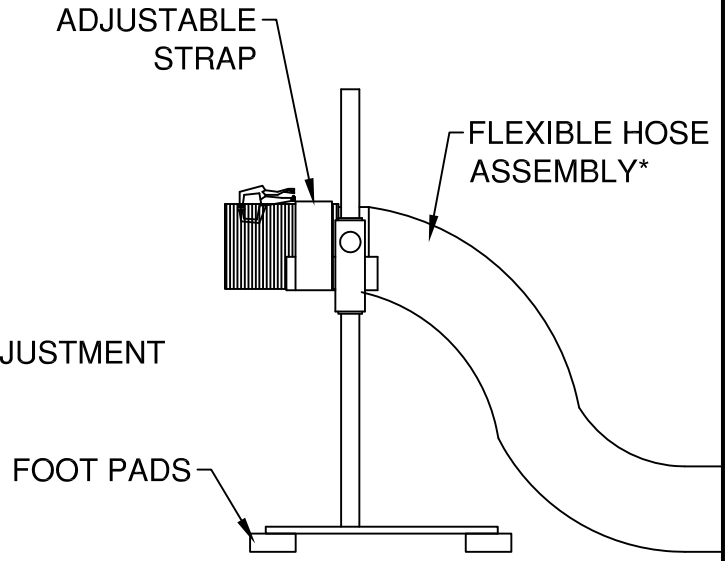
LOCATION:	ENGINEER:	SALES ENGINEER:
ARCHITECT:	CONTRACTOR:	DATE:



TOP VIEW



FRONT VIEW



SIDE VIEW

SCHEDULE

ITEM	QTY	MODEL	REFERENCE

NOTES:
 ALL DIMENSIONS IN INCHES
 BASE- 1/8" POWDER COATED STEEL
 HOSE CRADLE - 20 GAUGE FORMED POWDER COATED STEEL
 MAST- Ø 1" HEAVY GAUGE STEEL TUBING
 HEIGHT ADJUSTMENT ASSEMBLY - LOCKING HANDLE WITH OIL IMPREGNATED BRONZE BEARINGS
 ADJUSTABLE STRAP - 2" WIDE VELCRO WITH HOOK & LOOP
 FOOT PADS - Ø 2-1/2" x 1" THICK RUBBER
 *FLEXIBLE HOSE ASSEMBLY SHOWN NOT INCLUDED