

PROJECT:

LOCATION:

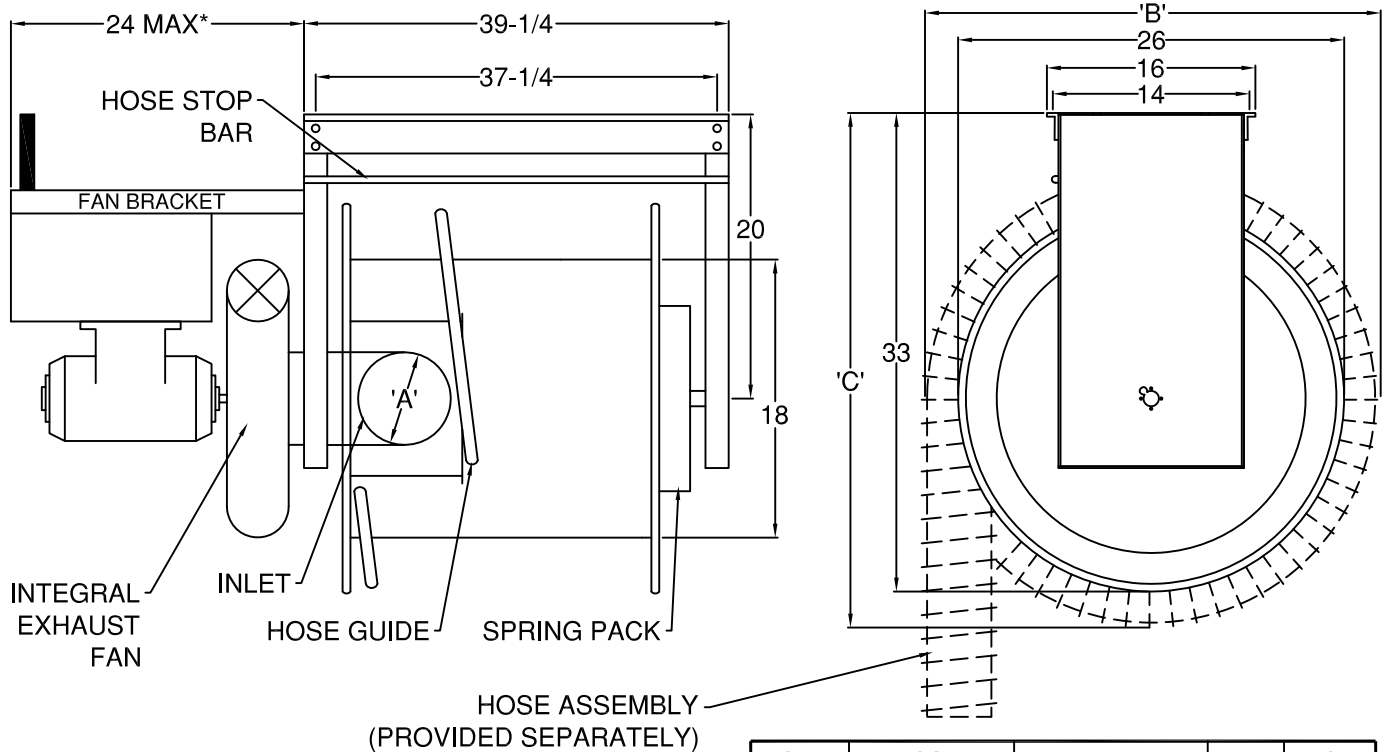
ENGINEER:

SALES ENGINEER:

ARCHITECT:

CONTRACTOR:

DATE:



MODEL	HOSE DIAMETER-'A'	MAX HOSE CAPACITY(FT)	'B'	'C'
HRA300	3	41'	25	32-1/2
HRA400	4	34'	27	33-1/2
HRA500	5	29'	29	34-1/2
HRA600	6	28'	31	35-1/2

### SPECIFICATIONS:

**DRUM:** REINFORCED 14 GA. GALVANIZED STEEL

**DRUM SIDE PLATE:** REINFORCED 16GA. GALVANIZED STEEL.

**FRAME BRACKETS:** POWDER COATED 12 GA. GALVANIZED ANGULAR STEEL.

**FRAME SIDE PLATE:** DOUBLE REINFORCED 12 GA. GALVANIZED STEEL.

**BEARINGS:** SLEEVE BEARINGS.

**SPRING ASSEMBLY:** TWO FULLY ENCLOSED HEAVY DUTY CARBON SPRING. LOCKING LATCH MECHANISM.

**FAN TO REEL MOUNT:** POWDER COATED ANGULAR STEEL.

FOUR Ø1/2" MOUNTING HOLES, 14" X 37-1/4 RECTANGULAR PATTERN.

\* VARIES DEPENDING ON FAN MODEL.

## SCHEDULE

ITEM	QTY	MODEL	HOSE TYPE	HOSE DIAMETER	HOSE LENGTH	REFERENCE

### NOTES:

ALL DIMENSIONS IN INCHES UNLESS OTHERWISE SPECIFIED.

ALL HOSE REELS COME WITH HOSE STOP RING AND PULL CABLE.

EXHAUST ADAPTER, FLEXIBLE HOSE, FAN AND PULL CABLE SPECIFIED ON SEPARATE DRAWING.