

PROJECT:

LOCATION:

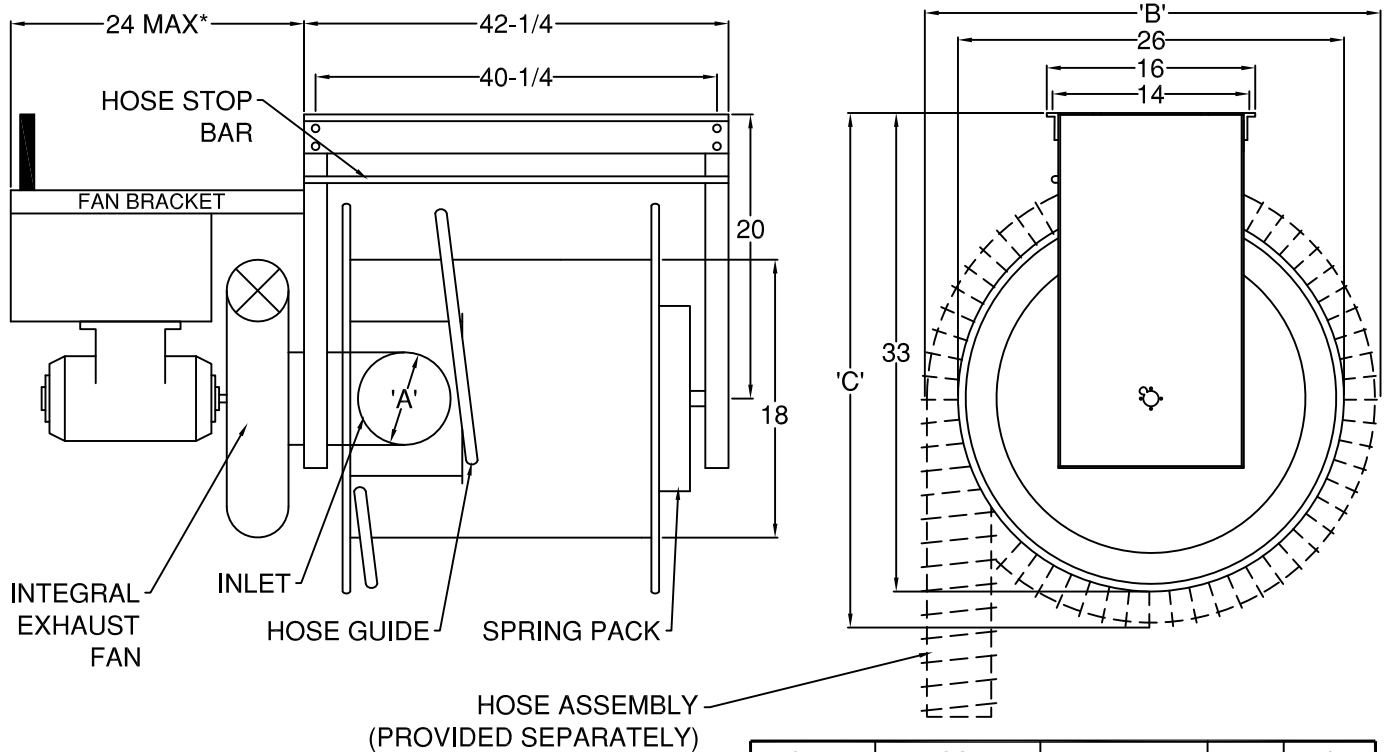
ENGINEER:

SALES ENGINEER:

ARCHITECT:

CONTRACTOR:

DATE:



MODEL	HOSE DIAMETER-'A'	MAX HOSE CAPACITY(FT)	'B'	'C'
HRA300L	3	47'	25	32-1/2
HRA400L	4	38'	27	33-1/2
HRA500L	5	33'	29	34-1/2
HRA600L	6	32'	31	35-1/2

SPECIFICATIONS:

DRUM: REINFORCED 14 GA. GALVANIZED STEEL

DRUM SIDE PLATE: REINFORCED 16GA. GALVANIZED STEEL.

FRAME BRACKETS: POWDER COATED 12 GA. GALVANIZED ANGULAR STEEL.

FRAME SIDE PLATE: DOUBLE REINFORCED 12 GA. GALVANIZED STEEL.

BEARINGS: SLEEVE BEARINGS.

SPRING ASSEMBLY: TWO FULLY ENCLOSED HEAVY DUTY CARBON SPRING. LOCKING LATCH MECHANISM.

FAN TO REEL MOUNT: POWDER COATED ANGULAR STEEL.

FOUR Ø1/2" MOUNTING HOLES, 14" X 40-1/4" RECTANGULAR PATTERN.

* VARIES DEPENDING ON FAN MODEL.

SCHEDULE

ITEM	QTY	MODEL	HOSE TYPE	HOSE DIAMETER	HOSE LENGTH	REFERENCE

NOTES:

ALL DIMENSIONS IN INCHES UNLESS OTHERWISE SPECIFIED.

ALL HOSE REELS COME WITH HOSE STOP RING AND PULL CABLE.

EXHAUST ADAPTER, FLEXIBLE HOSE, FAN AND PULL CABLE SPECIFIED ON SEPARATE DRAWING.