

PROJECT:

LOCATION:

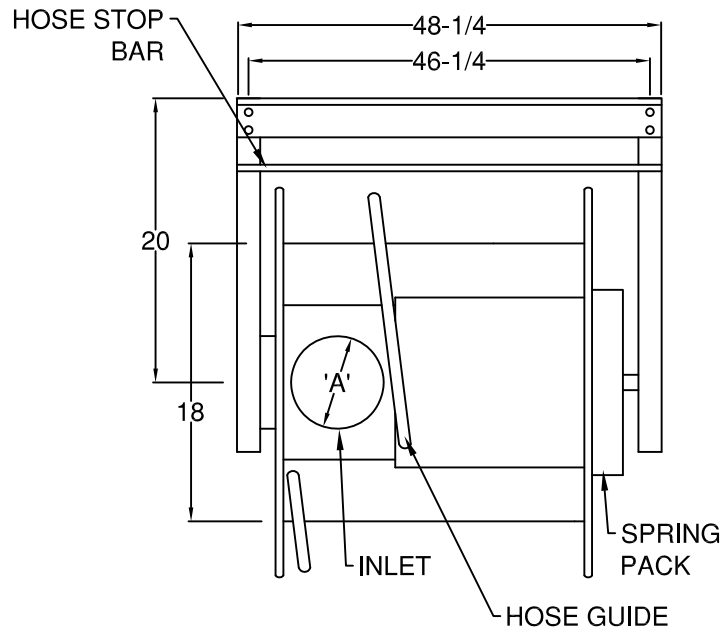
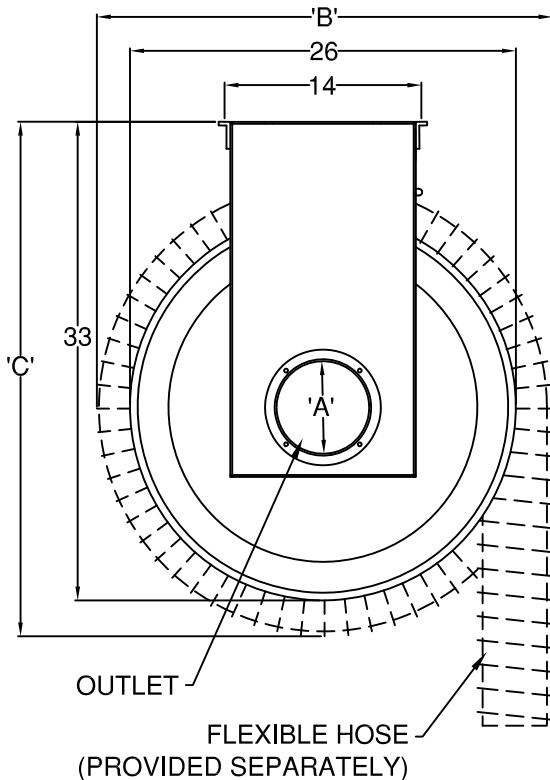
ENGINEER:

SALES ENGINEER:

ARCHITECT:

CONTRACTOR:

DATE:



MODEL	HOSE Ø 'A'	HOSE CAPACITY*	'B'	'C'
HRA300XL	3	48'	25	32-1/2
HRA400XL	4	45'	27	33-1/2
HRA500XL	5	42'	29	34-1/2
HRA600XL	6	39'	31	35-1/2

**SPECIFICATIONS:**

DRUM: REINFORCED 14 GA. GALVANIZED STEEL

DRUM SIDE PLATE: REINFORCED 16GA. GALVANIZED STEEL.

FRAME BRACKETS: POWDER COATED 12 GA. GALVANIZED ANGULAR STEEL.

FRAME SIDE PLATE: DOUBLE REINFORCED 12 GA. GALVANIZED STEEL.

BEARINGS: SLEEVE BEARINGS.

SPRING ASSEMBLY: TWO FULLY ENCLOSED HEAVY DUTY CARBON SPRING. LOCKING LATCH MECHANISM.

FOUR Ø1/2" MOUNTING HOLES, 14" X 46-1/4" RECTANGULAR PATTERN.

## SCHEDULE

ITEM	QTY	MODEL	HOSE TYPE	HOSE Ø	HOSE LENGTH	REFERENCE

**NOTES**

ALL DIMENSIONS IN INCHES UNLESS OTHERWISE SPECIFIED.

EXHAUST ADAPTER, FLEXIBLE HOSE, AND FAN SPECIFIED ON SEPERATE DRAWING.

\* CONSULT FACTOR FOR LARGER CAPACITIES OR NONSTANDARD DIAMETERS.