

PROJECT:

LOCATION:

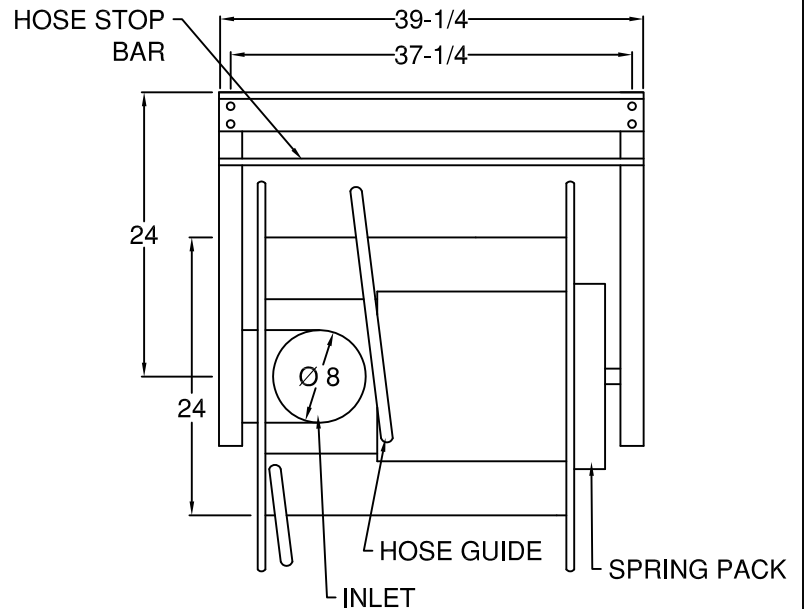
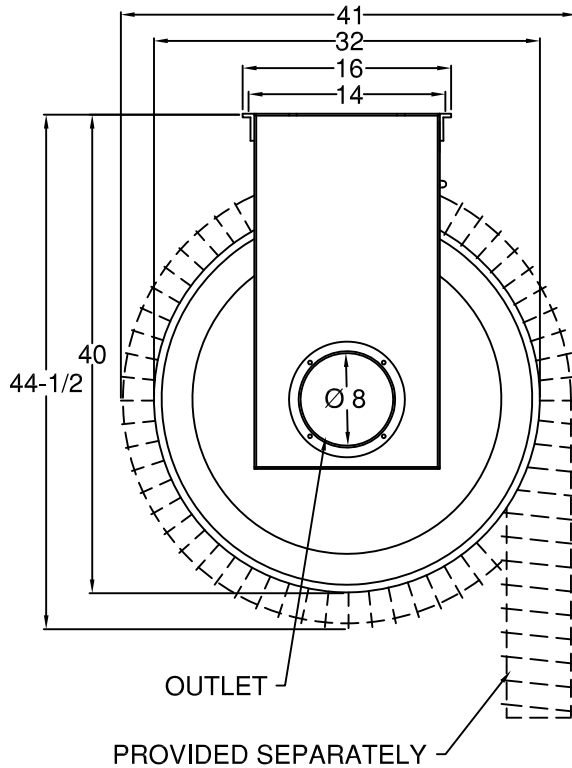
ENGINEER:

SALES ENGINEER:

ARCHITECT:

CONTRACTOR:

DATE:



MODEL	HOSE DIAMETER	HOSE CAPACITY STD * (FT)
HRA800	8"	25'

SPECIFICATIONS:

DRUM: REINFORCED 14 GA. GALVANIZED STEEL

DRUM SIDE PLATE: REINFORCED 16GA. GALVANIZED STEEL.

FRAME BRACKETS: POWDER COATED 12 GA. GALVANIZED ANGULAR STEEL.

FRAME SIDE PLATE: DOUBLE REINFORCED 12 GA. GALVANIZED STEEL.

BEARINGS: SLEEVE BEARINGS.

SPRING ASSEMBLY: FULLY ENCLOSED HEAVY DUTY CARBON SPRING. LOCKING LATCH MECHANISM.

FOUR Ø1/2" MOUNTING HOLES, 14" X 37-1/4 RECTANGULAR PATTERN.

SCHEDULE

ITEM	QTY	HOSE TYPE	HOSE LENGTH	REFERENCE

NOTES:

ALL DIMENSIONS IN INCHES UNLESS OTHERWISE SPECIFIED.

ADJUSTABLE HOSE STOP RING (NOT SHOWN) & PULL DOWN CABLE ASSEMBLY INCLUDED AS STANDARD.

HOSE ASSEMBLY COMPONENTS SHOWN ON SEPARATE SHEET.

*CONSULT FACTORY FOR LARGER CAPACITIES OR NON-STANDARD DIAMETERS.