

PROJECT:

LOCATION:

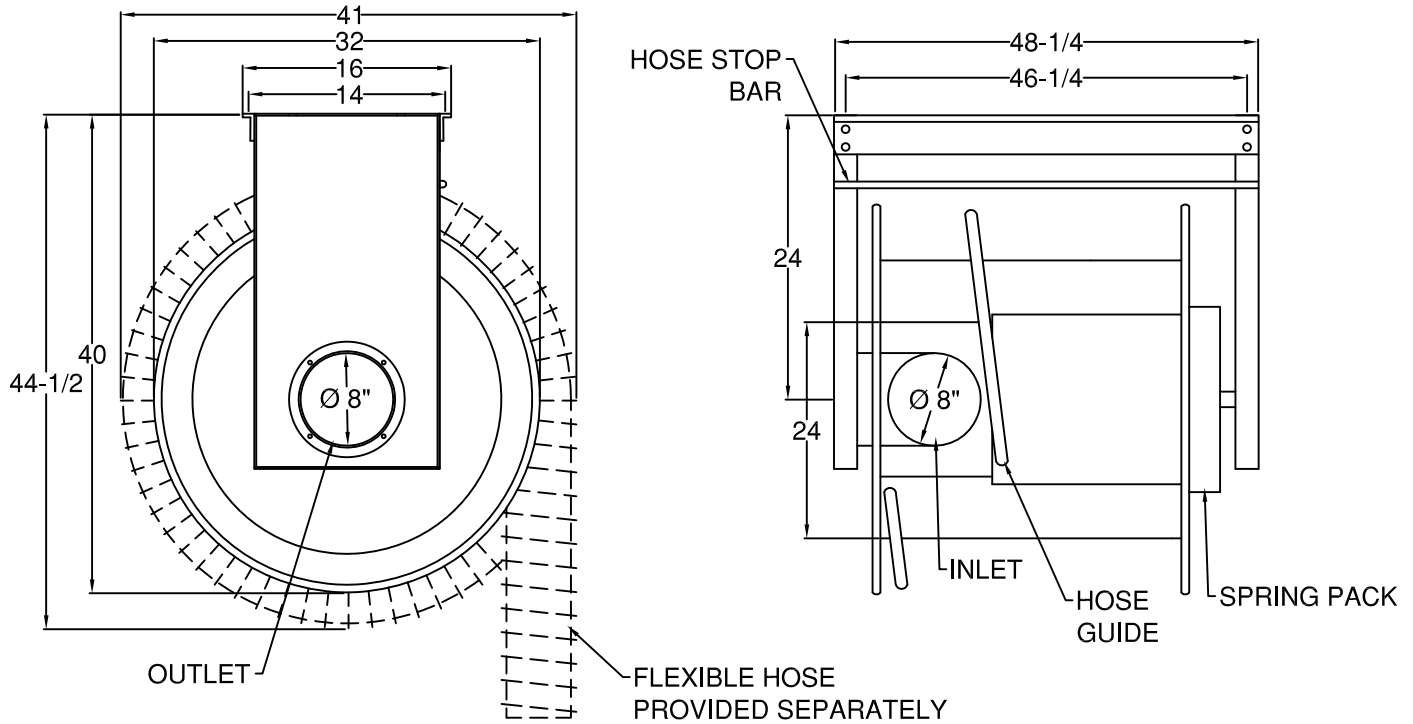
ENGINEER:

SALES ENGINEER:

ARCHITECT:

CONTRACTOR:

DATE:



**HRA800XL SPECIFICATIONS:**

HOSE CAPACITY: Ø 8" X 35'. OTHER CAPACITIES AVAILABLE UPON REQUEST.

DRUM: REINFORCED 14 GA. GALVANIZED STEEL

DRUM SIDE PLATE: REINFORCED 16GA. GALVANIZED STEEL.

FRAME BRACKETS: POWDER COATED 12 GA. GALVANIZED ANGULAR STEEL.

FRAME SIDE PLATE: DOUBLE REINFORCED 12 GA. GALVANIZED STEEL.

BEARINGS: SLEEVE BEARINGS.

SPRING ASSEMBLY: TWO FULLY ENCLOSED HEAVY DUTY CARBON SPRING. LOCKING LATCH MECHANISM.

- ADJUSTABLE HOSE STOP (NOT SHOWN).

- FOUR Ø1/2" MOUNTING HOLES, 14" X 46-1/4 RECTANGULAR PATTERN.

## SCHEDULE

ITEM	QTY	HOSE TYPE	HOSE LENGTH	REFERENCE

**NOTES**

ALL DIMENSIONS IN INCHES UNLESS OTHERWISE SPECIFIED.

ALL HOSE REELS COME WITH HOSE STOP RING AND PULL CABLE.

FLEXIBLE HOSE ASSEMBLY COMPONENTS SPECIFIED ON SEPARATE DRAWINGS.