

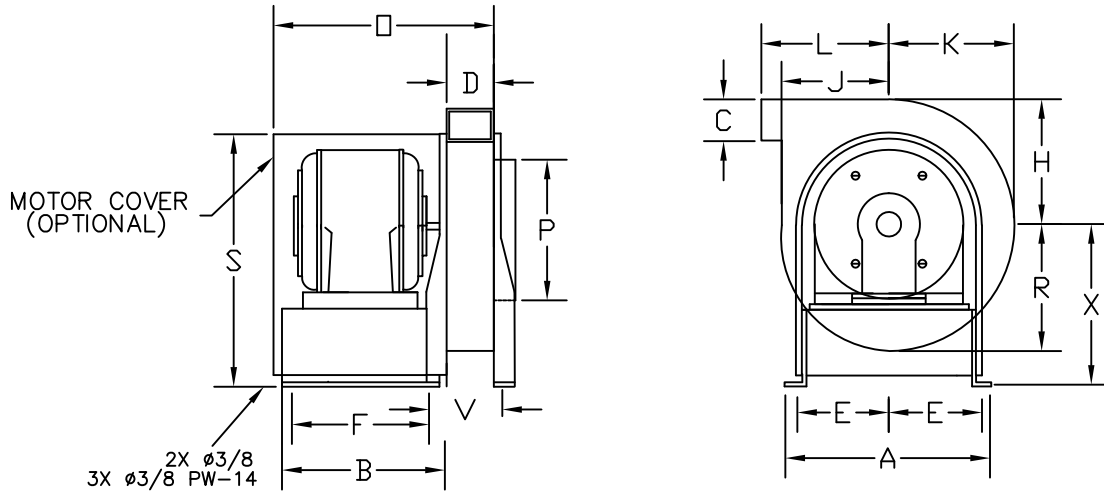


# SUBMITTAL

# DIRECT DRIVE VOLUME BLOWER

PROJECT:

LOCATION:	ENGINEER:	SALES ENGINEER:
ARCHITECT:	CONTRACTOR:	DATE:



MODEL	HP	RPM	PERFORMANCE - CFM														
			1.5" S.P.	2" S.P.	2.5" S.P.	3" S.P.	3.5" S.P.	4" S.P.	5" S.P.	6" S.P.	7" S.P.	8" S.P.	9" S.P.	10" S.P.	11" S.P.	12" S.P.	
PW8	1/3	3500	237	216	192	165	129	70	—	—	—	—	—	—	—	—	—
PW9	1/2	3500	423	399	374	346	316	282	195	—	—	—	—	—	—	—	—
PW11	1	3500	719	692	664	635	606	575	508	431	329	—	—	—	—	—	—
PW12	3	3500	1117	1090	1062	1033	1004	974	911	842	765	672	549	—	—	—	—
PW14	5	3500	2230	2180	2130	2070	2020	1960	1840	1720	1570	1400	1240	1080	880	670	—

BLOWER	WHEEL	A	B	C	D	E	F	G	H	J	K	L	O	P	R	X	S	V
PW8	7 <sup>3</sup> / <sub>4</sub> × 2 <sup>1</sup> / <sub>4</sub>	11	8	3	3	5	7	1 <sup>1</sup> / <sub>2</sub>	5 <sup>3</sup> / <sub>8</sub>	4 <sup>7</sup> / <sub>8</sub>	5 <sup>7</sup> / <sub>8</sub>	5 <sup>7</sup> / <sub>8</sub>	12 <sup>1</sup> / <sub>4</sub>	4	6 <sup>5</sup> / <sub>8</sub>	8 <sup>1</sup> / <sub>2</sub>	13 <sup>1</sup> / <sub>8</sub>	
PW9	9 × 2 <sup>3</sup> / <sub>4</sub>	12 <sup>1</sup> / <sub>8</sub>	8	3 <sup>1</sup> / <sub>2</sub>	3 <sup>1</sup> / <sub>2</sub>	5 <sup>5</sup> / <sub>8</sub>	7	1 <sup>1</sup> / <sub>2</sub>	6 <sup>3</sup> / <sub>8</sub>	5 <sup>3</sup> / <sub>4</sub>	6 <sup>7</sup> / <sub>8</sub>	6 <sup>3</sup> / <sub>4</sub>	12 <sup>3</sup> / <sub>4</sub>	5	7 <sup>1</sup> / <sub>2</sub>	9 <sup>3</sup> / <sub>8</sub>	14 <sup>5</sup> / <sub>8</sub>	
PW11	10 <sup>5</sup> / <sub>8</sub> × 3	14 <sup>3</sup> / <sub>4</sub>	9	4	3 <sup>1</sup> / <sub>2</sub>	6 <sup>7</sup> / <sub>8</sub>	7 <sup>1</sup> / <sub>2</sub>	3 <sup>3</sup> / <sub>4</sub>	7 <sup>1</sup> / <sub>4</sub>	6 <sup>1</sup> / <sub>2</sub>	8	7 <sup>5</sup> / <sub>8</sub>	14	6	8 <sup>5</sup> / <sub>8</sub>	11 <sup>3</sup> / <sub>4</sub>	18 <sup>1</sup> / <sub>4</sub>	
PW12	12 <sup>1</sup> / <sub>2</sub> × 3	17	11 <sup>1</sup> / <sub>4</sub>	5	4	8	9 <sup>3</sup> / <sub>4</sub>	3 <sup>3</sup> / <sub>4</sub>	8 <sup>1</sup> / <sub>4</sub>	7 <sup>1</sup> / <sub>2</sub>	9	9 <sup>5</sup> / <sub>8</sub>	17	7	10	10 <sup>5</sup> / <sub>8</sub>	18 <sup>3</sup> / <sub>8</sub>	
PW14	13 <sup>1</sup> / <sub>2</sub> × 4 <sup>3</sup> / <sub>8</sub>	17 <sup>5</sup> / <sub>8</sub>	11 <sup>1</sup> / <sub>4</sub>	7 <sup>1</sup> / <sub>8</sub>	5 <sup>3</sup> / <sub>4</sub>	8	9 <sup>9</sup> / <sub>16</sub>	1	10 <sup>1</sup> / <sub>2</sub>	9 <sup>5</sup> / <sub>8</sub>	11 <sup>3</sup> / <sub>8</sub>	11	18 <sup>7</sup> / <sub>8</sub>	8	11 <sup>1</sup> / <sub>2</sub>	12 <sup>5</sup> / <sub>8</sub>	21 <sup>1</sup> / <sub>2</sub>	7 <sup>1</sup> / <sub>4</sub>

## SCHEDULE

ITEM	QTY	MODEL	HP	ELECTRICAL	CFM	SP [WG"]	ROTATION/ DISCHARGE	REFERENCE

NOTES:  
 CONSTRUCTION: WHEEL - HEAVY CAST ALUMINUM, HOUSING & MOTOR BASE- 16 GAUGE WITH BAKED EPOXY FINISH,  
 AVAILABLE OPTIONS: RIS VIBRATION ISOLATORS, TEFC MOTOR & 20 GAUGE GALVANIZED STEEL MOTOR COVER  
 BLOWER CAN BE ASSEMBLED FOR CW OR CCW ROTATION AND ANY ONE OF 8 STANDARD DISCHARGE POSITIONS  
 (CCW-THD DEFAULT).