

PROJECT:

LOCATION:

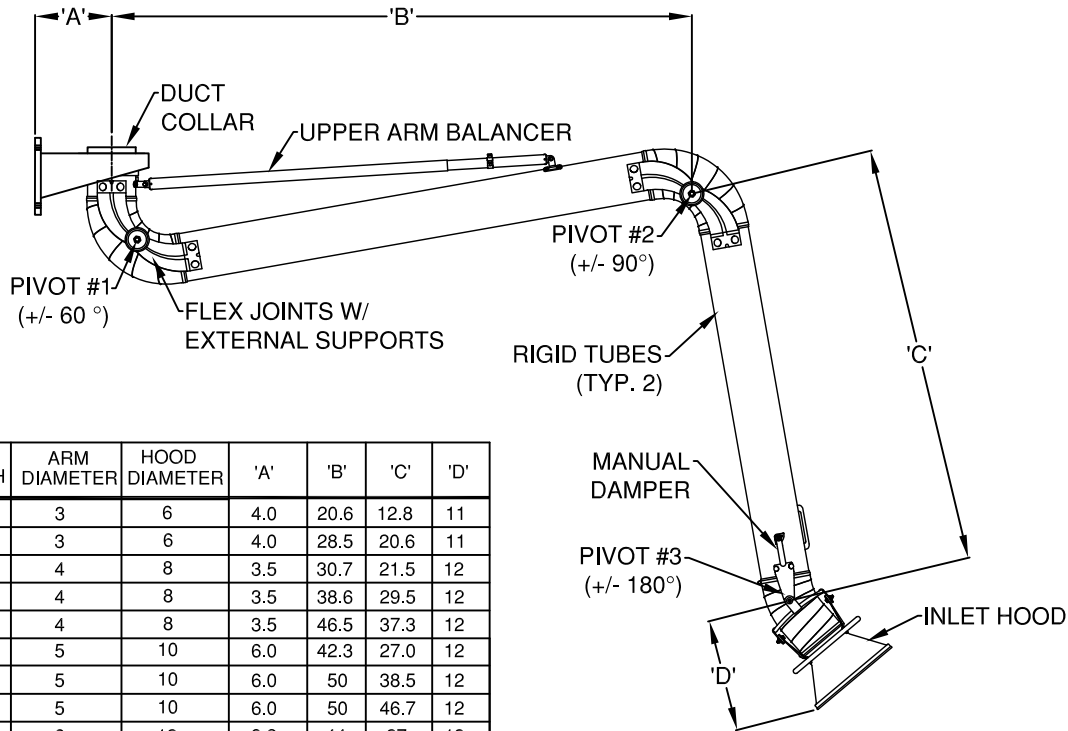
ENGINEER:

SALES ENGINEER:

ARCHITECT:

CONTRACTOR:

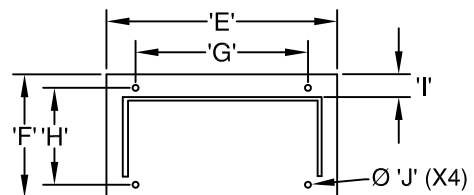
DATE:



ARM MODEL	**ARM REACH	ARM DIAMETER	HOOD DIAMETER	'A'	'B'	'C'	'D'
SIFA3030	3'	3	6	4.0	20.6	12.8	11
SIFA3050	5'	3	6	4.0	28.5	20.6	11
SIFA4050	5'	4	8	3.5	30.7	21.5	12
SIFA4070	7'	4	8	3.5	38.6	29.5	12
SIFA4085	8.5'	4	8	3.5	46.5	37.3	12
SIFA5070	7'	5	10	6.0	42.3	27.0	12
SIFA5085	7'	5	10	6.0	50	38.5	12
SIFA5100	10'	5	10	6.0	50	46.7	12
SIFA6070	7'	6	12	9.8	44	27	13
SIFA6100	10'	6	12	9.8	51.8	46.7	13
SIFA6140	14'	6	12	9.8	75.4	54.6	13
SIFA8070	7'	8	14	12.4	45	27.6	15
SIFA8100	10'	8	14	12.4	60.8	39.4	15
SIFA8140	14'	8	14	12.4	76.6	55	15

WALL BRKT	'E'	'F'	'G'	'H'	'I'	'J'
WMF30	5.44	3.94	4.25	2.76	—	.33
WMF40	6.29	3.94	5.12	2.76	—	.33
WMF50	9.84	6.50	7.87	5.31	1.38	.43
WMF60	9.84	6.50	7.86	5.30	1.38	.43
WMF80	12.99	9.84	11.42	8.27	1.57	.43

WALL BRACKET PLATE



SCHEDULE

ITEM	QTY	MODEL	REFERENCE

NOTES:

- UNLESS OTHERWISE SPECIFIED ALL DIMENSION IN INCHES. ROTATES 350° FROM FACTORY, BUT STOP CAN BE REMOVED FOR 360° ROTATION.
- FAN AND/OR LIGHT CONTROL SWITCHES OPTIONAL.
- ARM REACH LENGTH INCLUDES WALL BRACKET***

- RIGID TUBES - POWDER COATED CARBON STEEL.
- EXTERNAL SUPPORTS - PAINTED CAST ALUMINUM.
- FLEXIBLE TUBING - NEOPRENE/POLYESTER.
- INLET HOOD - POWDER COATED ALUMINUM.
- VOLUME DAMPER - ALUMINUM DISC WITH 1/4 TURN HANDLE.
- WALL BRACKET - 7/14 GA. PAINTED STEEL.