

PROJECT:

LOCATION:

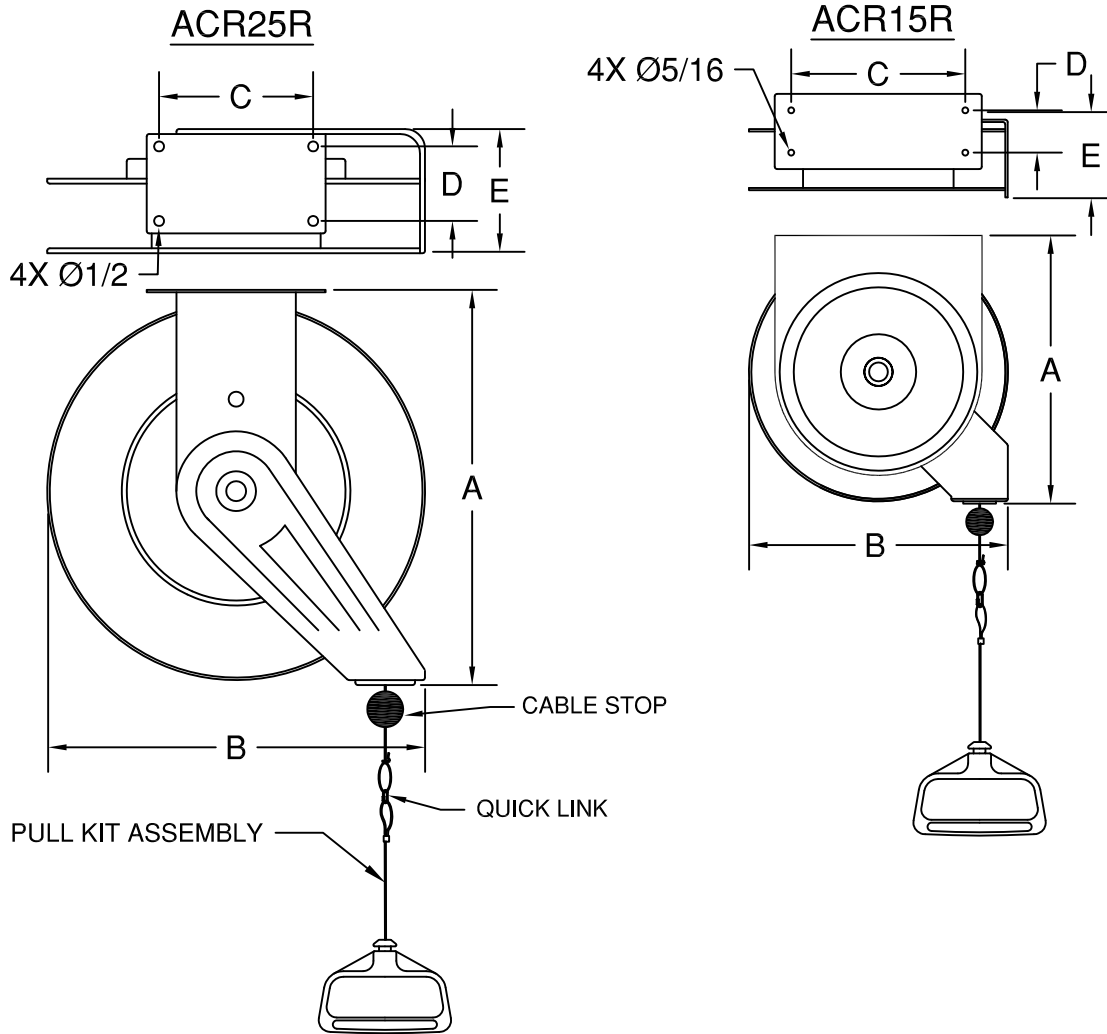
ENGINEER:

SALES ENGINEER:

ARCHITECT:

CONTRACTOR:

DATE:



MODEL	A	B	C	D	E	MAX LIFTING FORCE
ACR15R	14-1/2	13-1/2	9-3/4	2-1/2	6	15 POUNDS
ACR25R	20-1/4	19	7-7/8	3-7/8	7	25 POUNDS

SCHEDULE

ITEM	QTY	MODEL	REFERENCE

NOTES:

ALL DIMENSIONS ARE IN INCHES.

SPRING RETRACTING REEL FURNISHED WITH LOCKING LATCH MECHANISM.

CONSTRUCTION: BLUE POLYURETHANE COATED STEEL.

15' OF Ø1/4" AIRCRAFT CABLE WITH ADJUSTABLE CABLE STOP.

CABLE LOOP INCLUDES: (1) CABLE THIMBLE, (2) CABLE CLAMPS.

PULL KIT INCLUDES: QUICK LINK, EASY GRIP HANDLE AND 10' OF VINYL COATED AIRCRAFT CABLE.