

PROJECT:

LOCATION:

ENGINEER:

SALES ENGINEER:

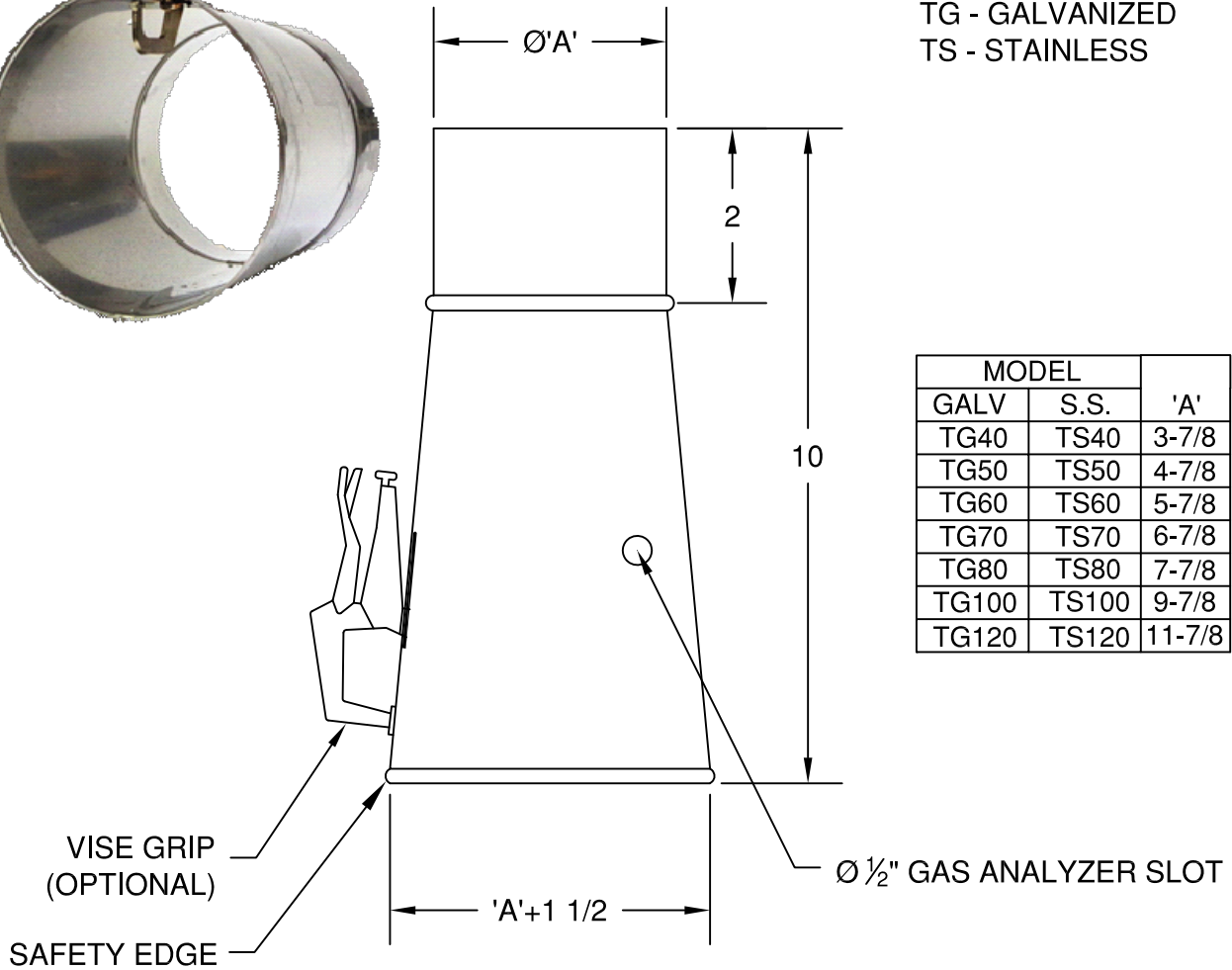
ARCHITECT:

CONTRACTOR:

DATE:



TAILPIPE ADAPTER
TG - GALVANIZED
TS - STAINLESS



MODEL		
GALV	S.S.	'A'
TG40	TS40	3-7/8
TG50	TS50	4-7/8
TG60	TS60	5-7/8
TG70	TS70	6-7/8
TG80	TS80	7-7/8
TG100	TS100	9-7/8
TG120	TS120	11-7/8

SCHEDULE

ITEM	QTY	MODEL	REFERENCE

NOTES:

ALL DIMENSIONS IN INCHES.

'A' - NOMINAL HOSE I.D.

4" THRU 5" : 22 GAUGE STEEL CONSTRUCTION.

6" THRU 12": 20 GAUGE STEEL CONSTRUCTION.