

PROJECT:

LOCATION:

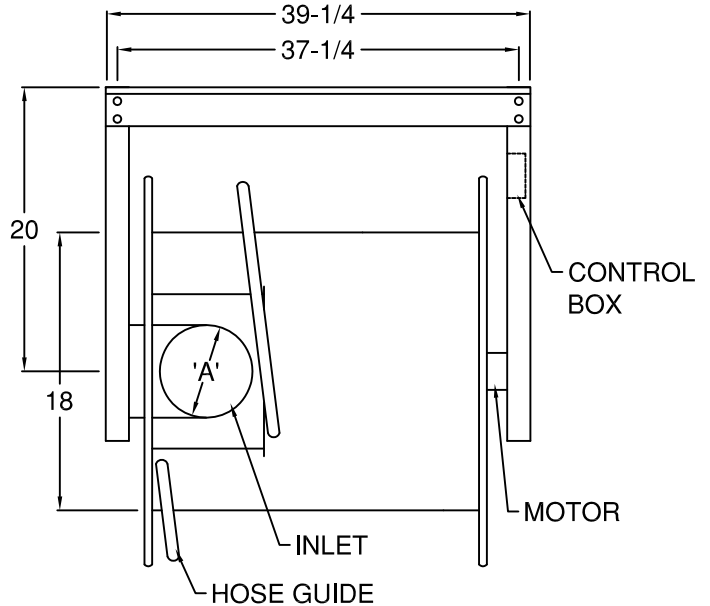
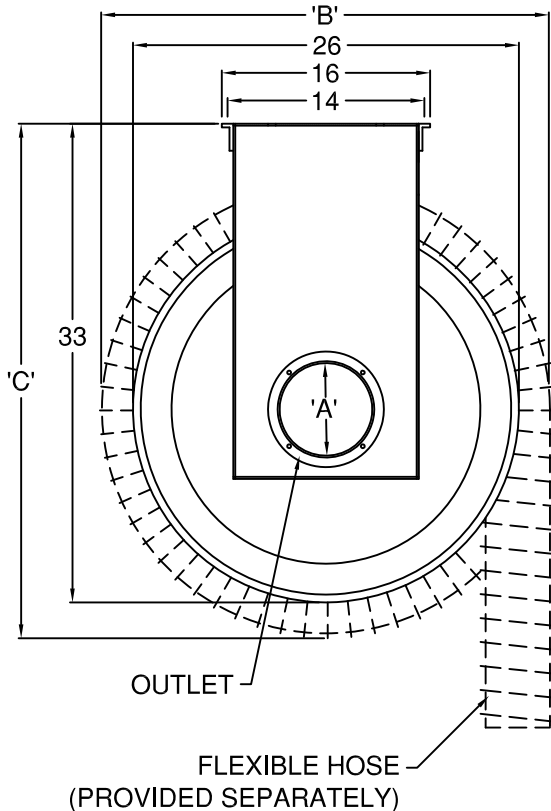
ENGINEER:

SALES ENGINEER:

ARCHITECT:

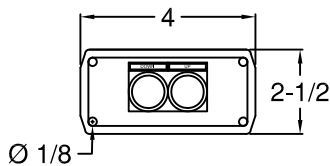
CONTRACTOR:

DATE:



MODEL	HOSE Ø 'A'	HOSE CAPACITY STD * (FT)	'B'	'C'
TMHR30	3	25'	25	32-1/2
TMHR40	4	25'	27	33-1/2
TMHR50	5	25'	29	34-1/2
TMHR60	6	25'	31	35-1/2

CONTROL STATION



4-BUTTON STATIONS AND HANGING PENDANTS OPTIONAL

SPECIFICATIONS:

DRUM: 14 GA. GALVANIZED STEEL

DRUM SIDE PLATE: 16 GA. REINFORCED GALVANIZED STEEL.

FRAME: POWDER COATED 12 GA. GALVANIZED STEEL.

BEARINGS: SLEEVE BEARINGS.

MOTOR: 120/1/60, 3.5A, 400W, 11 RPM

THERMAL OVERLOAD PROTECTION.

INTEGRAL BRAKE & PUSH BUTTON LIMIT SWITCHES

TOTALLY ENCLOSED TUBULAR CONSTRUCTION.

CONTROL: 2-BUTTON STATION, MOMENTARY PUSH BUTTONS.

FOUR Ø1/2" MOUNTING HOLES, 14" X 37-1/4" RECTANGULAR PATTERN

SCHEDULE

ITEM	QTY	MODEL	HOSE TYPE	HOSE LENGTH	REFERENCE

NOTES:

ALL DIMENSIONS IN INCHES UNLESS OTHERWISE SPECIFIED.

*CONSULT FACTORY FOR LARGER CAPACITIES OR NON-STANDARD DIAMETERS.