

PROJECT:

LOCATION:

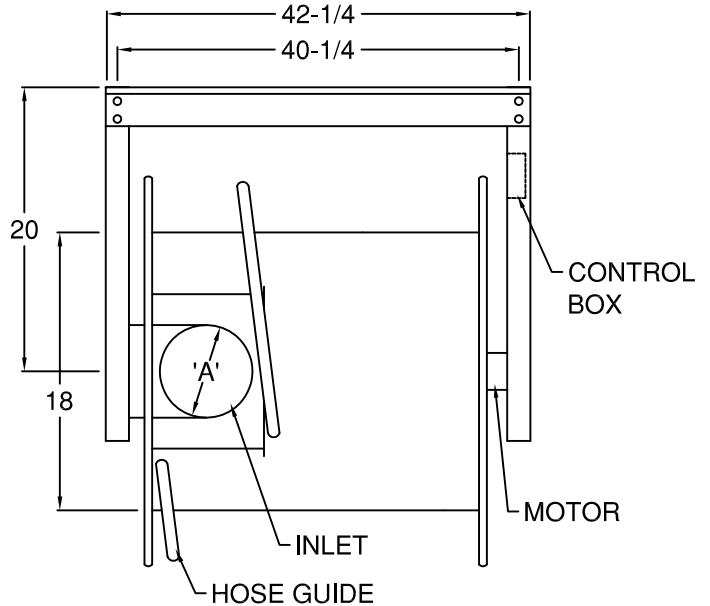
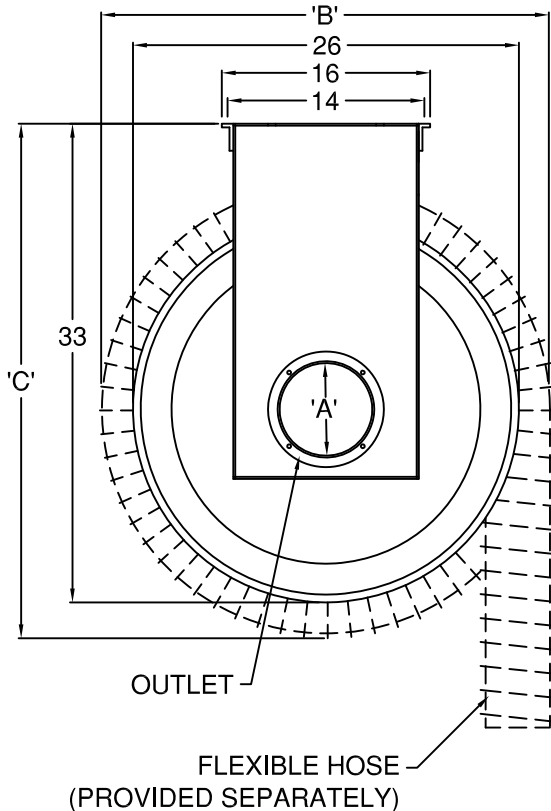
ENGINEER:

SALES ENGINEER:

ARCHITECT:

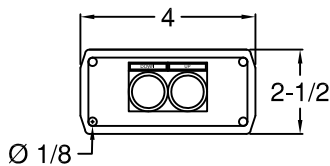
CONTRACTOR:

DATE:



| MODEL | HOSE Ø 'A' | HOSE CAPACITY STD * (FT) | 'B' | 'C' |
|---------|---------------|-----------------------------|-----|--------|
| TMHR30L | 3 | 47' | 25 | 32-1/2 |
| TMHR40L | 4 | 38' | 27 | 33-1/2 |
| TMHR50L | 5 | 33' | 29 | 34-1/2 |
| TMHR60L | 6 | 32' | 31 | 35-1/2 |

CONTROL STATION



4-BUTTON STATIONS AND HANGING PENDANTS OPTIONAL

SPECIFICATIONS:

DRUM: 14 GA. GALVANIZED STEEL

DRUM SIDE PLATE: 16 GA. REINFORCED GALVANIZED STEEL.

FRAME: POWDER COATED 12 GA. GALVANIZED STEEL.

BEARINGS: SLEEVE BEARINGS.

MOTOR: 120/1/60, 3.5A, 400W, 11 RPM

THERMAL OVERLOAD PROTECTION.

INTEGRAL BRAKE & PUSH BUTTON LIMIT SWITCHES

TOTALLY ENCLOSED TUBULAR CONSTRUCTION.

CONTROL: 2-BUTTON STATION, MOMENTARY PUSH BUTTONS.

FOUR Ø1/2" MOUNTING HOLES, 14" X 40-1/4" RECTANGULAR PATTERN

SCHEDULE

| ITEM | QTY | MODEL | HOSE TYPE | HOSE LENGTH | REFERENCE |
|------|-----|-------|-----------|-------------|-----------|
| | | | | | |
| | | | | | |
| | | | | | |

NOTES:

ALL DIMENSIONS IN INCHES UNLESS OTHERWISE SPECIFIED.

*CONSULT FACTORY FOR LARGER CAPACITIES OR NON-STANDARD DIAMETERS.