

PROJECT:

LOCATION:

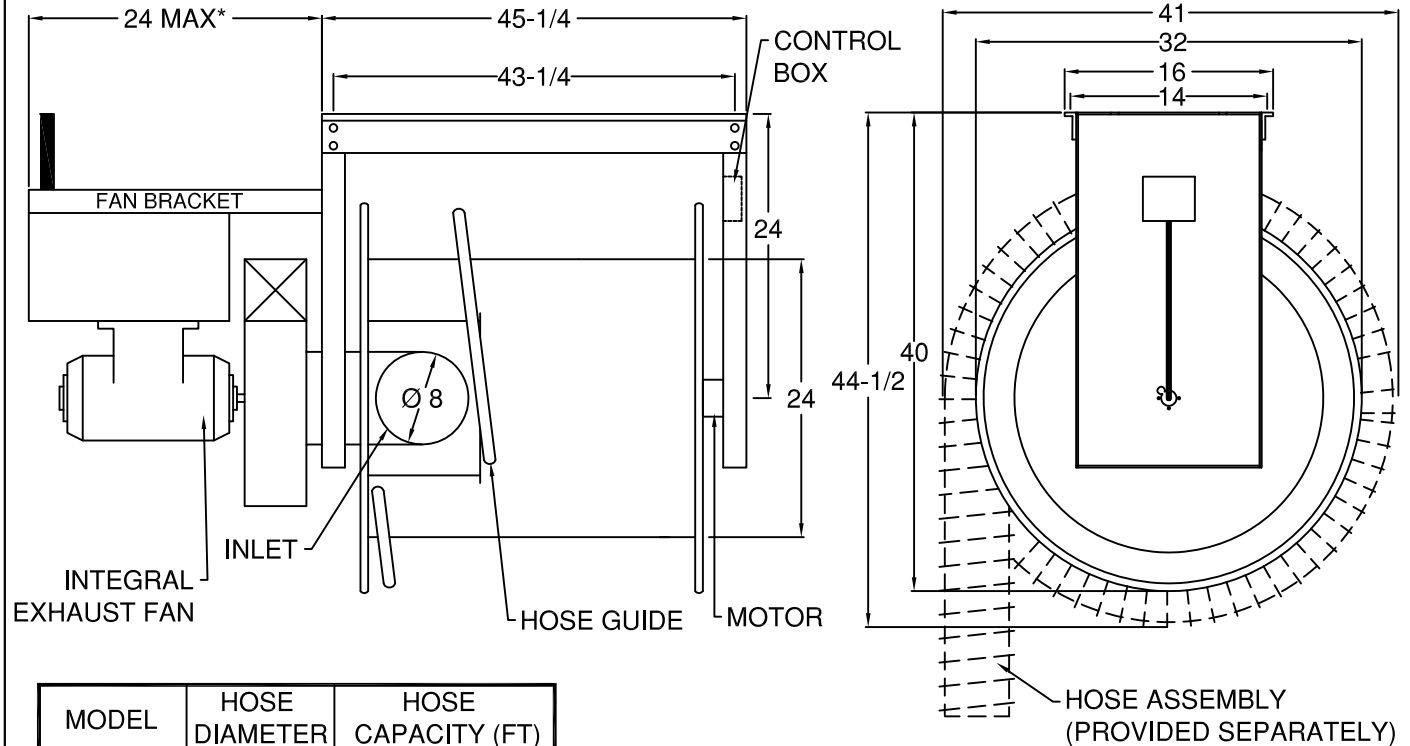
ENGINEER:

SALES ENGINEER:

ARCHITECT:

CONTRACTOR:

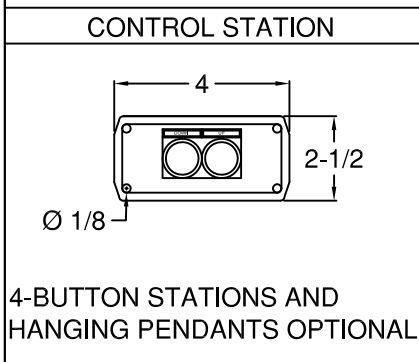
DATE:



MODEL	HOSE DIAMETER	HOSE CAPACITY (FT)
TMHR80L	8	30'

SPECIFICATIONS:

- DRUM: 14 GA. GALVANIZED STEEL
 - DRUM SIDE PLATE: REINFORCED 16 GA. GALVANIZED STEEL.
 - FRAME: POWDER COATED 12 GA. GALVANIZED STEEL.
 - FRAME SIDE PLATE: DOUBLE REINFORCED 12 GA. GALVANIZED STEEL.
 - BEARINGS: SLEEVE BEARINGS.
 - MOTOR: 120/1/60, 8.6A, 960W, 9 RPM
 - THERMAL OVERLOAD PROTECTION.
 - INTEGRAL BRAKE & PUSH BUTTON LIMIT SWITCHES
 - TOTALLY ENCLOSED TUBULAR CONSTRUCTION.
 - CONTROL: 2-BUTTON STATION, MOMENTARY PUSH BUTTONS.
- FOUR Ø1/2" MOUNTING HOLES, 14" X 43-1/4" RECTANGULAR PATTERN
* VARIES DEPENDING ON FAN TYPE.



SCHEDULE

ITEM	QTY	HOSE TYPE	HOSE LENGTH	REFERENCE

NOTES:

ALL DIMENSIONS IN INCHES UNLESS OTHERWISE SPECIFIED.
CONSULT FACTORY FOR LARGER CAPACITIES OR NON-STANDARD DIAMETERS.