

PROJECT:

LOCATION:

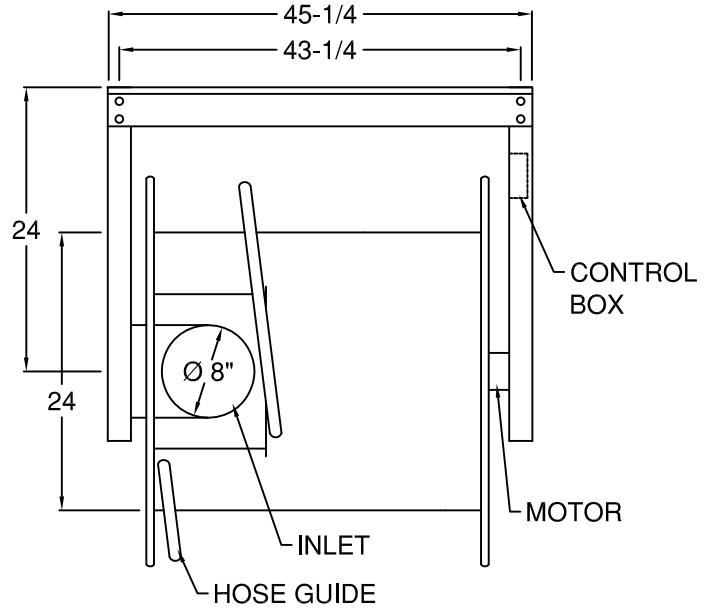
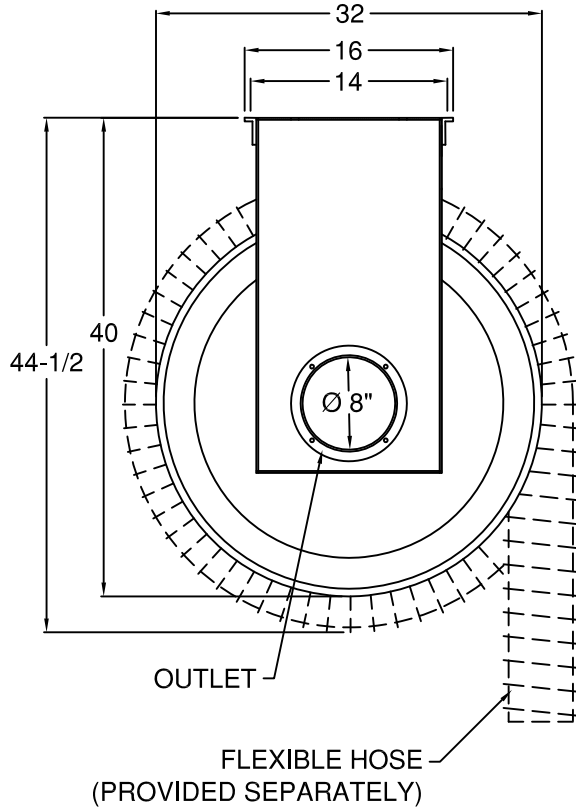
ENGINEER:

SALES ENGINEER:

ARCHITECT:

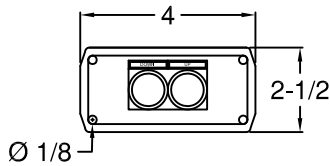
CONTRACTOR:

DATE:



MODEL	HOSE DIAMETER	HOSE CAPACITY (FT)
TMHR80L	8	30'

**CONTROL STATION**



4-BUTTON STATIONS AND  
HANGING PENDANTS OPTIONAL

**SPECIFICATIONS:**

**DRUM:** 14 GA. GALVANIZED STEEL

**DRUM SIDE PLATE:** 16 GA. REINFORCED GALVANIZED STEEL.

**FRAME:** POWDER COATED 12 GA. GALVANIZED STEEL.

**BEARINGS:** SLEEVE BEARINGS.

**MOTOR:** 110/1/60, 8.6A, 960W, 9 RPM

THERMAL OVERLOAD PROTECTION.

INTEGRAL BRAKE & PUSH BUTTON LIMIT SWITCHES

TOTALLY ENCLOSED TUBULAR CONSTRUCTION.

**CONTROL:** 2-BUTTON STATION, MOMENTARY PUSH BUTTONS.

FOUR Ø1/2" MOUNTING HOLES, 14" X 43-1/4" RECTANGULAR PATTERN

## SCHEDULE

ITEM	QTY	HOSE TYPE	HOSE LENGTH	REFERENCE

**NOTES:**

ALL DIMENSIONS IN INCHES UNLESS OTHERWISE SPECIFIED.

\*CONSULT FACTORY FOR LARGER CAPACITIES OR NON-STANDARD DIAMETERS.