

PROJECT:

LOCATION:

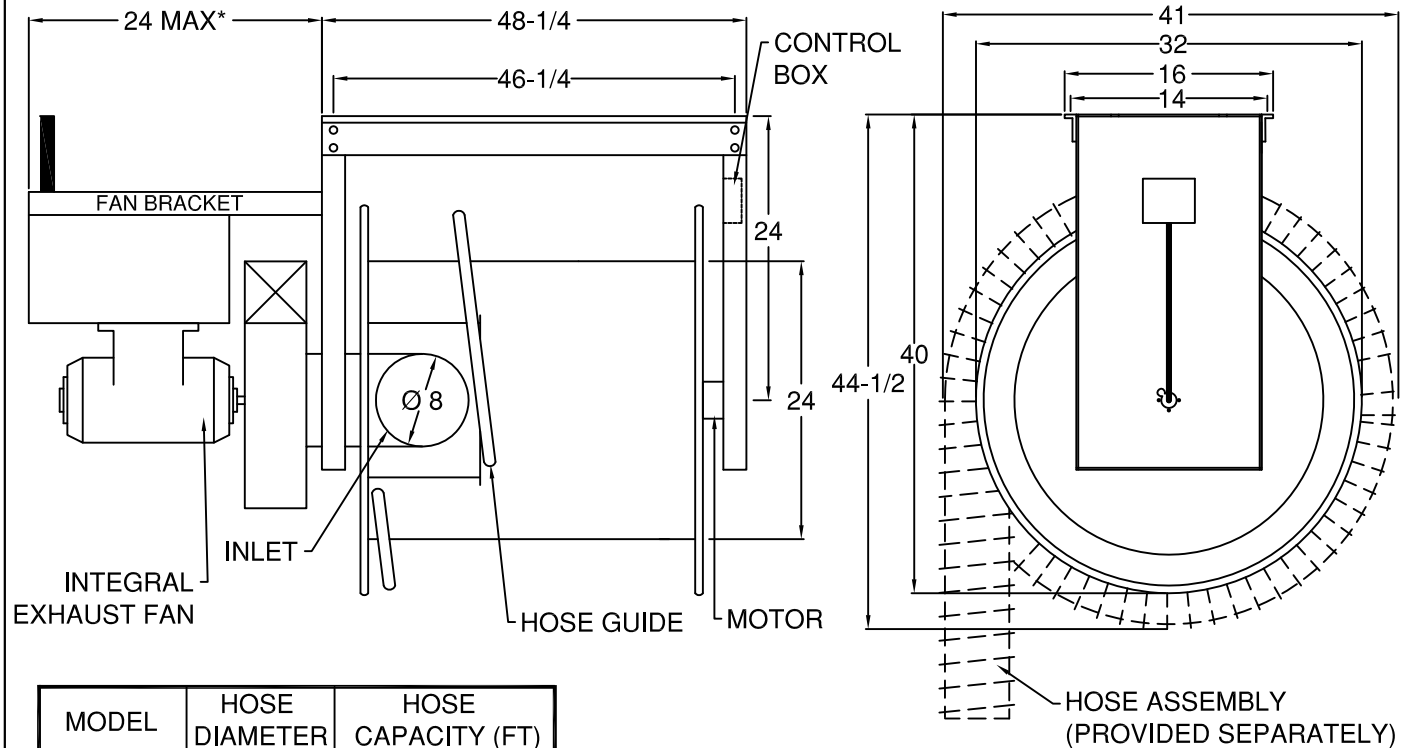
ENGINEER:

SALES ENGINEER:

ARCHITECT:

CONTRACTOR:

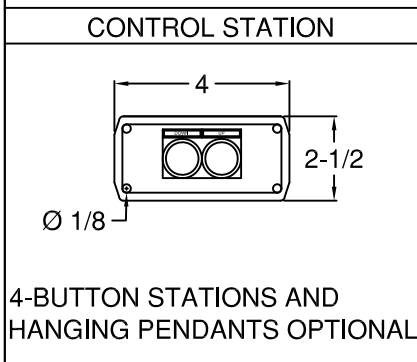
DATE:



MODEL	HOSE DIAMETER	HOSE CAPACITY (FT)
TMHR80XL	8	38'

SPECIFICATIONS:

- DRUM: 14 GA. GALVANIZED STEEL
- DRUM SIDE PLATE: REINFORCED 16 GA. GALVANIZED STEEL.
- FRAME: POWDER COATED 12 GA. GALVANIZED STEEL.
- FRAME SIDE PLATE: DOUBLE REINFORCED 12 GA. GALVANIZED STEEL.
- BEARINGS: SLEEVE BEARINGS.
- MOTOR: 120/1/60, 8.6A, 960W, 9 RPM
- THERMAL OVERLOAD PROTECTION.
- INTEGRAL BRAKE & PUSH BUTTON LIMIT SWITCHES
- TOTALLY ENCLOSED TUBULAR CONSTRUCTION.
- CONTROL: 2-BUTTON STATION, MOMENTARY PUSH BUTTONS.



FOUR Ø1/2" MOUNTING HOLES, 14" X 46-1/4" RECTANGULAR PATTERN
* VARIES DEPENDING ON FAN TYPE.

SCHEDULE

ITEM	QTY	HOSE TYPE	HOSE LENGTH	REFERENCE

NOTES:

ALL DIMENSIONS IN INCHES UNLESS OTHERWISE SPECIFIED.
CONSULT FACTORY FOR LARGER CAPACITIES OR NON-STANDARD DIAMETERS.