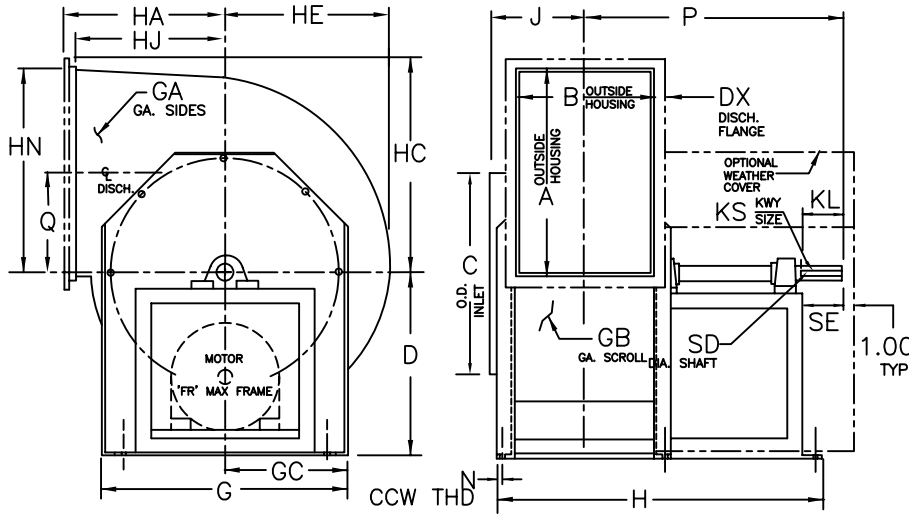


PROJECT: _____ LOCATION: _____ ARCHITECT: _____ ENGINEER: _____ CONTRACTOR: _____ SALES ENGINEER: _____ DRAWN DATE: _____ DRAWN BY: _____ REVISED DATE: _____

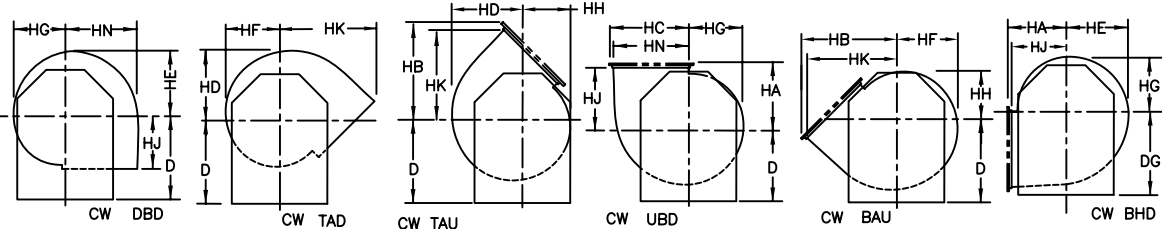
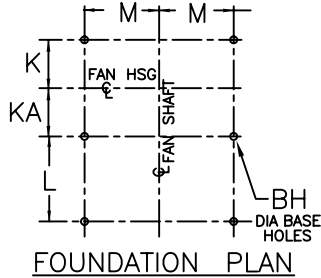


SIZE	A	B	BH	C	D	DG	DX	FL	FR	G	GA	GB	GC	H	HA	HB	HC	HD	HE	SIZE
122	13.00	9.75	0.44	13.25	14.50	14.50	1.00	14.75	145T	16.00	14	14	8.00	24.50	9.75	16.75	13.94	11.19	10.56	122
135	14.31	10.81	0.44	14.56	15.75	15.75	1.00	14.75	145T	17.50	14	14	8.75	25.63	10.75	18.38	15.25	12.31	11.63	135
150	15.88	11.94	0.44	16.19	17.75	17.75	1.00	17.00	184T	19.00	14	14	9.50	28.75	11.94	20.31	16.81	13.75	12.88	150
165	17.44	13.19	0.44	17.75	19.00	19.00	1.00	17.00	184T	20.50	14	14	10.25	30.13	13.13	22.25	18.38	15.06	14.13	165
182	19.38	14.56	0.44	19.50	21.00	21.00	1.25	20.50	215T	22.50	12	14	11.25	34.38	14.50	24.81	20.56	16.69	15.69	182
200	21.19	15.94	0.56	21.38	22.75	22.75	1.25	20.50	215T	25.00	12	14	12.50	35.75	15.81	27.00	22.38	18.38	17.31	200
222	23.56	17.69	0.56	23.75	25.50	25.50	1.25	18.75	215T	27.25	12	14	13.63	40.75	17.69	30.00	24.75	20.44	19.06	222
245	25.94	19.44	0.56	26.06	28.00	28.00	1.25	19.75	215T	29.75	12	14	14.88	43.50	19.50	33.00	27.13	22.38	21.00	245
270	28.63	21.38	0.56	28.50	30.50	30.50	1.50	21.75	215T	33.00	12	14	16.50	47.38	21.44	36.44	30.06	24.69	23.19	270
300	31.81	23.81	0.56	31.63	27.50	34.25	1.50	24.50	215T	36.13	10	12	18.06	52.88	23.81	40.31	33.25	27.44	25.75	300
330	35.13	26.06	0.56	34.75	30.00	37.25	1.50	26.00	256T	38.88	10	12	19.44	56.13	26.25	44.44	36.56	30.13	28.38	330
365	38.75	28.88	0.56	38.50	33.50	41.00	1.50	32.25	286T	43.75	10	12	21.88	64.56	29.00	48.88	40.13	33.50	31.50	365

SIZE	HF	HG	HH	HJ	HK	HN	J	K	KA	KL	KS	L	M	N	P	Q	SD	SE	SIZE
122	9.94	9.31	8.69	9.25	15.69	12.94	7.44	5.75	5.75	2.00	.25x.13	12.00	6.75	0.50	19.75	6.44	1.000	2.75	122
135	10.94	10.25	9.56	10.25	17.31	14.25	8.00	6.31	6.31	2.00	.25x.13	12.00	7.38	0.50	20.31	7.13	1.000	2.75	135
150	12.13	11.38	10.63	11.44	19.25	15.81	9.06	6.88	6.88	2.50	.25x.13	13.88	8.25	0.50	23.13	7.88	1.000	3.25	150
165	13.31	12.50	11.69	12.63	21.19	17.38	9.69	7.50	7.50	2.50	.25x.13	13.88	8.75	0.63	23.75	8.69	1.000*	3.25	165
182	14.75	13.81	12.88	14.00	23.56	19.31	10.88	8.19	8.19	3.00	.25x.13	16.75	9.63	0.63	27.94	9.63	1.187	3.75	182
200	16.25	15.19	14.13	15.31	25.75	21.13	11.56	8.88	8.88	3.00	.38x.19	16.75	10.63	0.63	28.63	10.56	1.437	3.75	200
222	17.94	16.81	15.69	17.19	28.75	23.50	12.44	10.00	10.00	3.00	.38x.19	19.00	11.13	0.88	27.63	11.75	1.437	3.75	222
245	19.75	18.50	17.25	19.00	31.75	25.88	13.31	10.88	10.88	3.00	.38x.19	20.00	11.63	0.88	29.00	12.94	1.437	3.75	245
270	21.81	20.44	19.06	20.94	35.00	28.56	14.25	11.81	11.81	3.25	.38x.19	22.00	13.13	0.88	31.69	14.25	1.437	4.00	270
300	24.25	22.75	21.25	23.31	38.94	31.75	15.50	13.31	13.31	3.00	.50x.25	24.00	12.13	1.13	40.38	15.81	1.937	3.75	300
330	26.69	25.00	23.31	25.75	43.00	35.06	16.63	14.44	14.44	3.00	.50x.25	25.00	12.13	1.13	42.50	17.50	1.937	3.75	330
365	29.63	27.75	25.88	28.50	47.44	39.63	18.00	15.81	17.63	4.00	.50x.25	28.88	14.13	1.13	50.56	19.25	1.937	4.75	365

NOTES:

1. FLANGED OUTLET IS OPTIONAL ON SIZES 122-200
FLANGED OUTLET IS STANDARD ON SIZES 222 THRU 365 (EXCEPT ON TAD & DBD).
2. 'CW' ROTATION IS SHOWN. 'CW' ROTATION IS SIMILAR BUT OPPOSITE.
- *3. SHAFT DIAMETER IS INCREASED TO 1.187 ON HI-TEMP FANS WHICH REQUIRE SHAFT COOLERS.
4. ALL UNITS ARE ROTATABLE TO ALL POSITIONS (EXCEPT SIZES 300-365 WITH "D" CENTER LINE HEIGHT ARE NOT ROTATABLE TO BHD).
5. 'FL' IS NEMA 'C' MAX MOTOR LENGTH



SCHEDULE

ITEM	QTY	MODEL	HP	CFM	S.P. ["W.G.]	ELECTRICAL	DISCHARGE/ ROTATION	REFERENCE

NOTES
STANDARD FINISH: POLYESTER POWDER COATED
DIMENSIONS IN INCHES

