

PROJECT:

LOCATION:

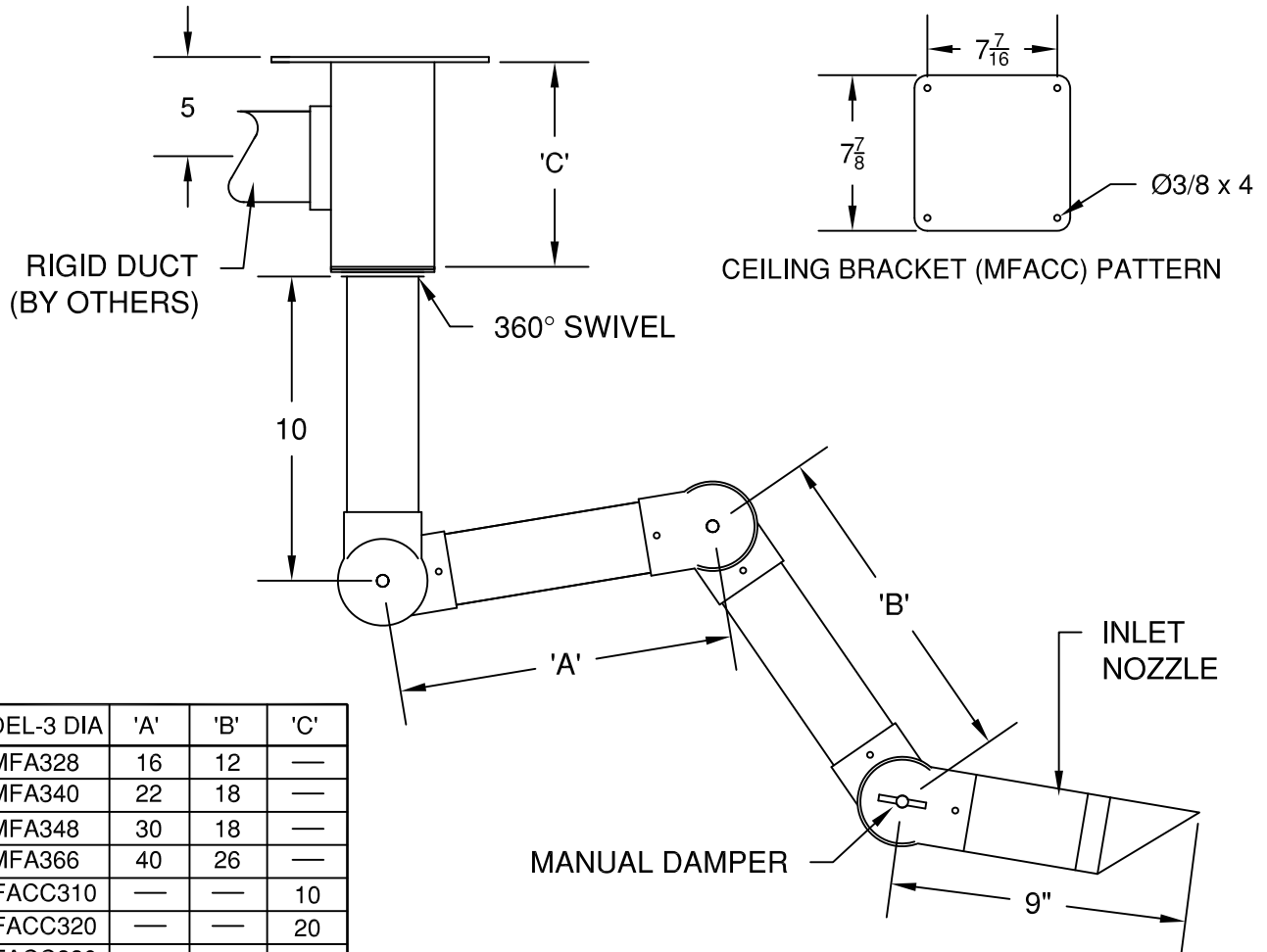
ENGINEER:

SALES ENGINEER:

ARCHITECT:

CONTRACTOR:

DATE:



MODEL-3 DIA	'A'	'B'	'C'
CMFA328	16	12	—
CMFA340	22	18	—
CMFA348	30	18	—
CMFA366	40	26	—
MFACC310	—	—	10
MFACC320	—	—	20
MFACC330	—	—	30
MFACC340	—	—	40
MFACC350	—	—	50
MFACC360	—	—	60
MFACC370	—	—	70
MFACC380	—	—	80

SCHEDULE

ITEM	QTY	MODEL	REFERENCE

NOTES:

ALL DIMENSIONS ARE IN INCHES.

TUBING - ANODIZED ALUMINUM.

JOINTS - POLYPROPYLENE, RESISTANT TO SOLVENTS & ACIDS.

CEILING BRACKET - ANODIZED ALUMINUM, W/360° SWIVEL.

INLET HOOD - ANODIZED ALUMINUM (OTHER HOODS AVAILABLE).