

PROJECT:

LOCATION:

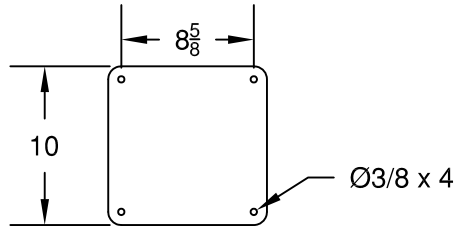
ENGINEER:

SALES ENGINEER:

ARCHITECT:

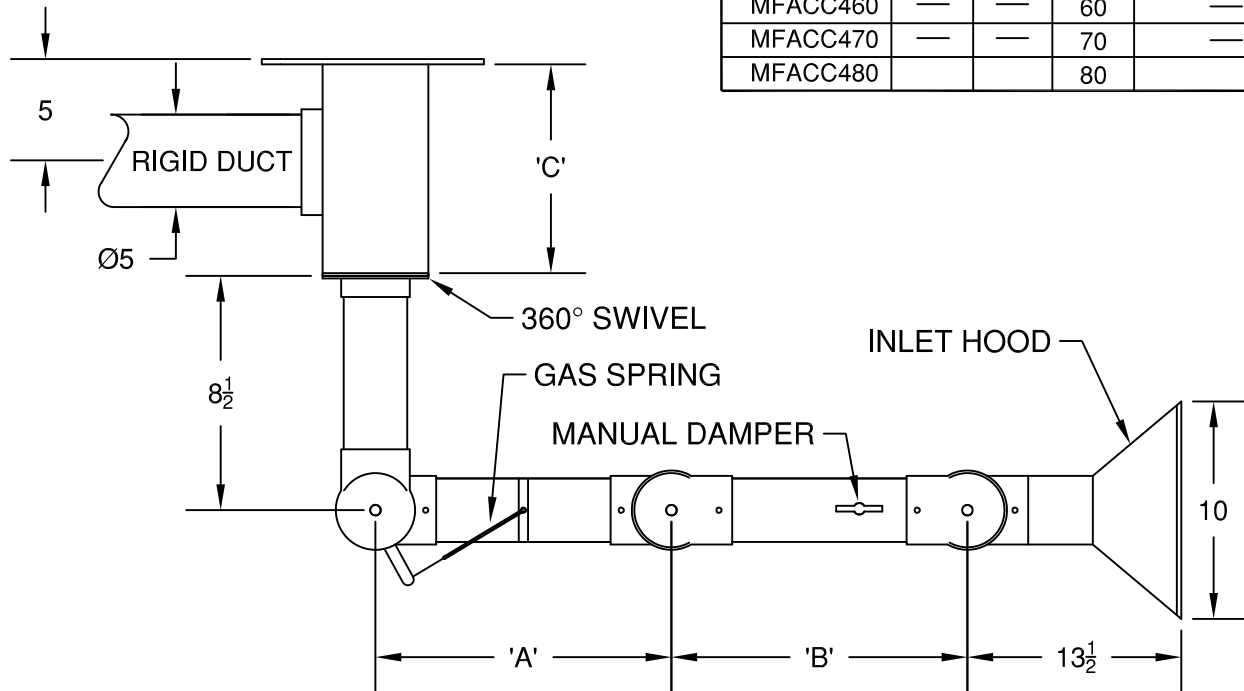
CONTRACTOR:

DATE:



CEILING BRACKET (MFACC) PATTERN

MODEL	'A'	'B'	'C'	MAX RADIUS*
CMFA447	18	14	—	45-1/2
CMFA455	22	18	—	53-1/2
CMFA466	30	22	—	65-1/2
CMFA476	40	22	—	75-1/2
CMFA483	40	30	—	83-1/2
CMFA4105	52	40	—	105-1/2
MFACC420	—	—	20	—
MFACC430	—	—	30	—
MFACC440	—	—	40	—
MFACC450	—	—	50	—
MFACC460	—	—	60	—
MFACC470	—	—	70	—
MFACC480	—	—	80	—



### SCHEDULE

ITEM	QTY	MODEL	REFERENCE

**NOTES:**

ALL DIMENSIONS ARE IN INCHES.

TUBING - ANODIZED ALUMINUM.

JOINTS - POLYPROPYLENE, RESISTANT TO SOLVENTS & ACIDS.

CEILING BRACKET - EPOXY COATED STEEL, W/360° SWIVEL.

INLET HOOD - POWDER COATED ALUMINUM (OTHER HOODS AVAILABLE).

\*MAX RADIUS WILL VARY DEPENDING ON HOOD.