

PROJECT:

LOCATION:

ENGINEER:

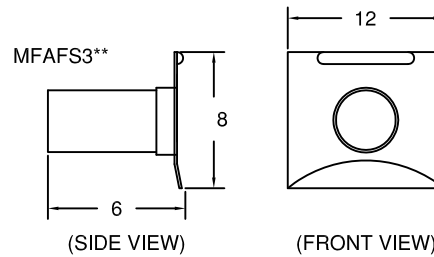
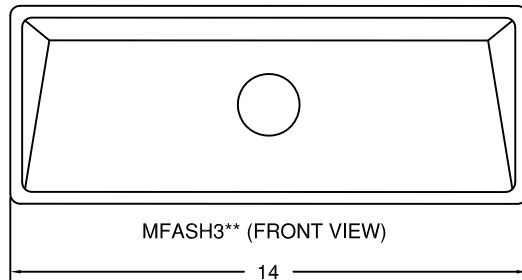
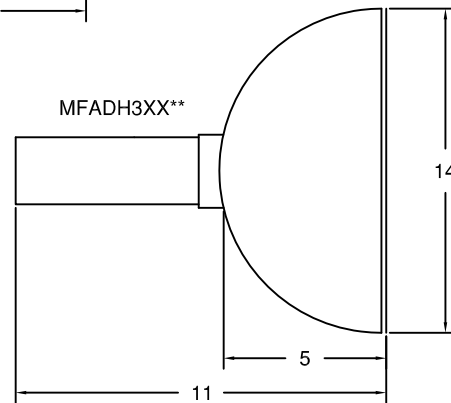
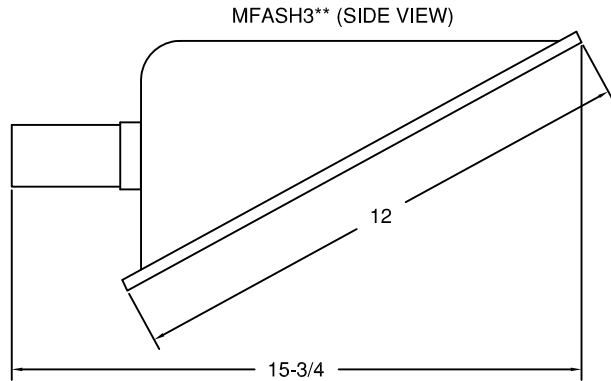
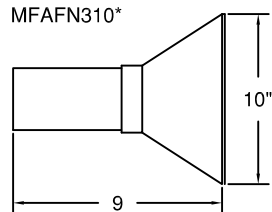
SALES ENGINEER:

ARCHITECT:

CONTRACTOR:

DATE:

MODEL-3"DIA	DESCRIPTION
MFAFN310	FUNNEL NOZZLE
MFASH3	SQUARE HOOD
MFADH314	DOME HOOD - Ø14 INLET
MFAFS3	FLAT SCREEN



### SCHEDULE

ITEM	QTY	MODEL	REFERENCE

#### NOTES

- \*CONSTRUCTED OF POWDER COATED ALUMINUM
- \*\*CONSTRUCTED OF TRANSPARENT PLASTIC.
- ALL COLLARS ANODIZED ALUMINUM