

PROJECT:

LOCATION:

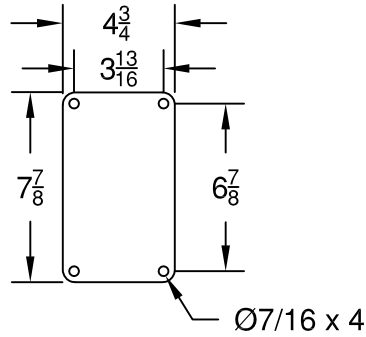
ENGINEER:

SALES ENGINEER:

ARCHITECT:

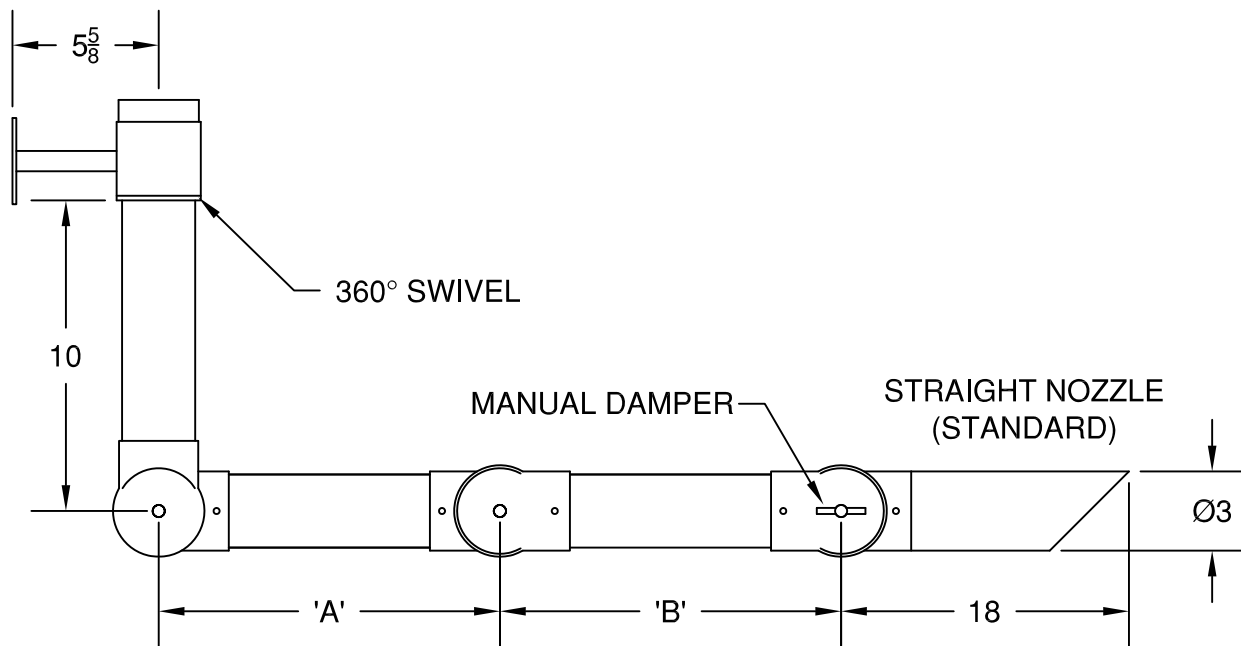
CONTRACTOR:

DATE:



WALL BRACKET PATTERN

MODEL	'A'	'B'	MAX RADIUS*
WMFA328	16	12	46
WMFA340	22	18	58
WMFA348	30	18	66
WMFA366	40	26	84



### SCHEDULE

ITEM	QTY	MODEL	REFERENCE

**NOTES:**

ALL DIMENSIONS ARE IN INCHES.

TUBING - ANODIZED ALUMINUM.

JOINTS - POLYPROPYLENE, RESISTANT TO SOLVENTS & ACIDS.

WALL BRACKET - EPOXY COATED STEEL, W/360° SWIVEL.

INLET HOOD - POWDER COATED ALUMINUM (OTHER HOODS AVAILABLE).

\*MAX RADIUS WILL VARY DEPENDING ON HOOD.