

PROJECT:

LOCATION:

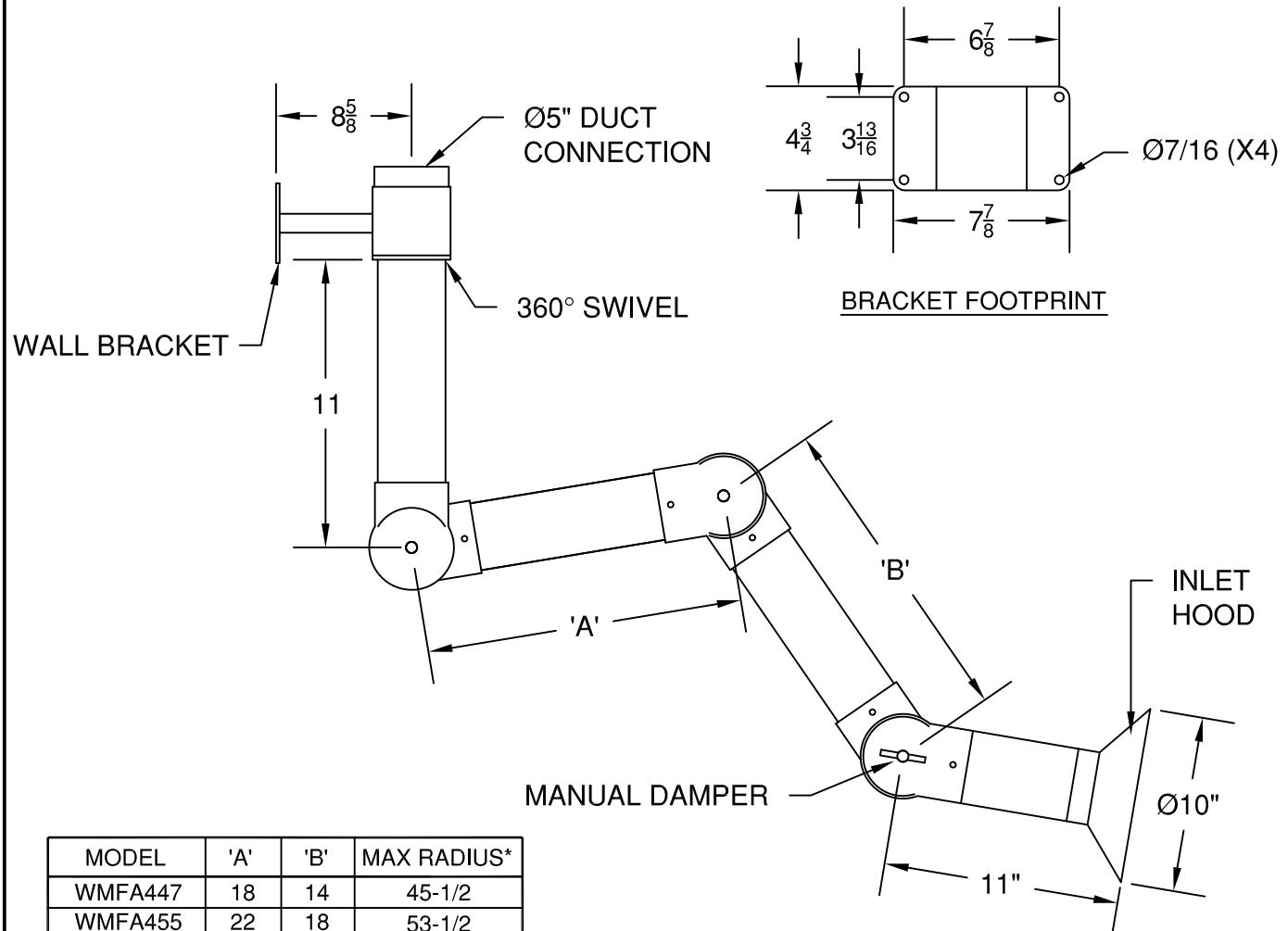
ENGINEER:

SALES ENGINEER:

ARCHITECT:

CONTRACTOR:

DATE:



MODEL	'A'	'B'	MAX RADIUS*
WMFA447	18	14	45-1/2
WMFA455	22	18	53-1/2
WMFA466	30	22	65-1/2
WMFA476	40	22	75-1/2
WMFA483	40	30	83-1/2
WMFA4105	52	40	105-1/2

SCHEDULE

ITEM	QTY	MODEL	REFERENCE

NOTES:

ALL DIMENSIONS ARE IN INCHES.
 TUBING - ANODIZED ALUMINUM OR POLYPROPYLENE (ATEX).
 JOINTS - POLYPROPYLENE, RESISTANT TO SOLVENTS & ACIDS.
 WALL MOUNTING BRACKET - EPOXY COATED STEEL, W/360° SWIVEL.
 INLET HOOD - POWDER COATED ALUMINUM (OTHER HOODS AVAILABLE).