

PROJECT:

LOCATION:

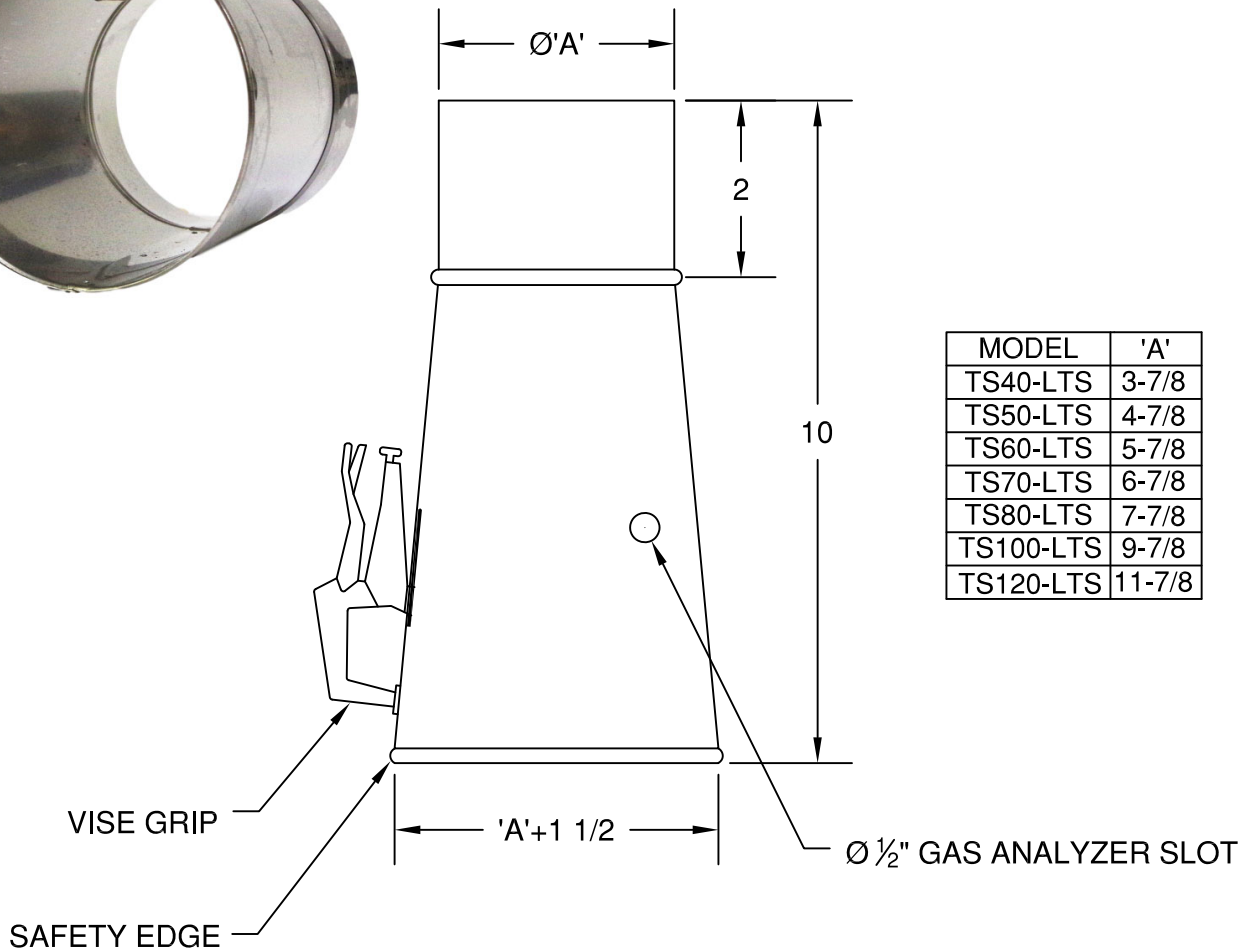
ENGINEER:

SALES ENGINEER:

ARCHITECT:

CONTRACTOR:

DATE:



MODEL	'A'
TS40-LTS	3-7/8
TS50-LTS	4-7/8
TS60-LTS	5-7/8
TS70-LTS	6-7/8
TS80-LTS	7-7/8
TS100-LTS	9-7/8
TS120-LTS	11-7/8

SCHEDULE

ITEM	QTY	MODEL	REFERENCE

SPECIFICATIONS

- 4" & 5" - WELDED STAINLESS STEEL CONSTRUCTION, 22 GAUGE.
- 6" THROUGH 12" - WELDED STAINLESS STEEL CONSTRUCTION, 20 GAUGE.

DRAWING NOTES:

- 'A' DIMENSION IS OUTSIDE DIAMETER.
- ALL DIMENSIONS ARE IN INCHES.
- DRAWING NOT TO SCALE.