

PROJECT:

LOCATION:

ENGINEER:

SALES ENGINEER:

ARCHITECT:

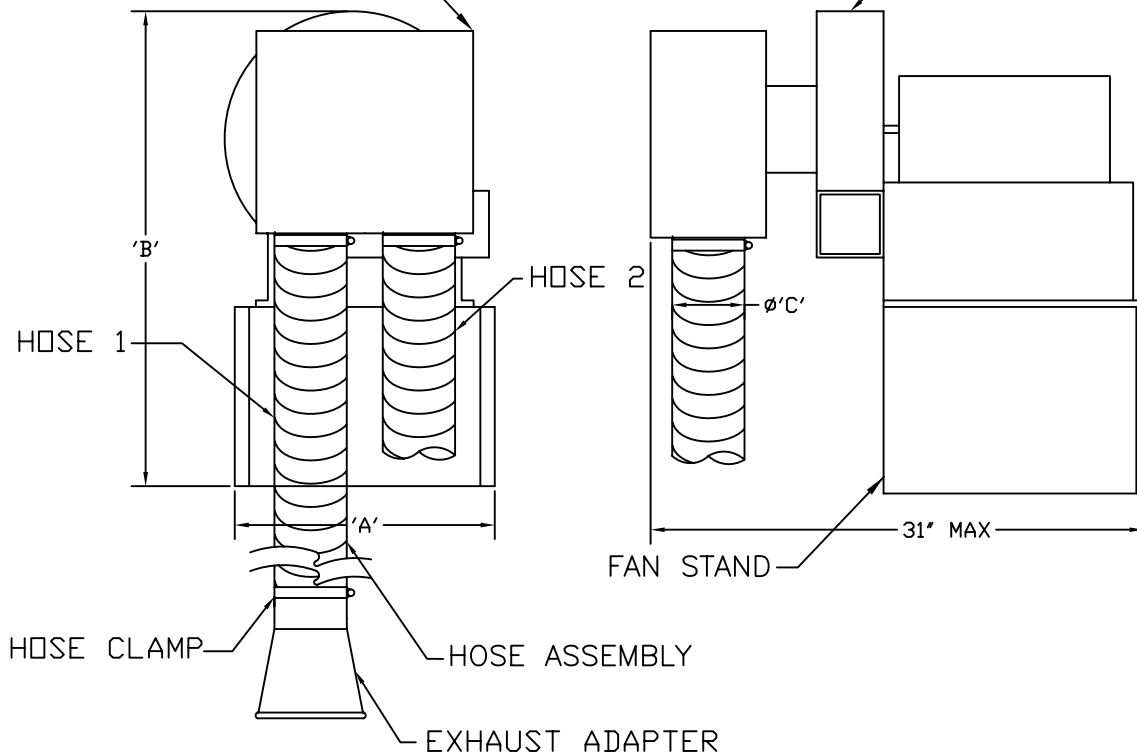
CONTRACTOR:

DATE:

MODEL	'A'	'B'	'C'	HOSE 1	HOSE 2	EXHAUST ADAPTER
TBU 30	15"	27"	3"	22'	11'	F300
TBU 40	16"	28"	4"	22'	11'	RA400
TBU 50	21"	32"	5"	22'	11'	DSR605
TBU 60	21"	31"	6"	22'	11'	DSR606

INLET BOX ASSEMBLY

EXHAUST FAN



SCHEDULE

ITEM	QTY	MODEL	REFERENCE

NOTES

- FAN STAND - 12 GAUGE GALVANIZED STEEL.
- INLET BOX ASSEMBLY - 20 GAUGE GALVANIZED STEEL.