

PROJECT:

LOCATION:

ENGINEER:

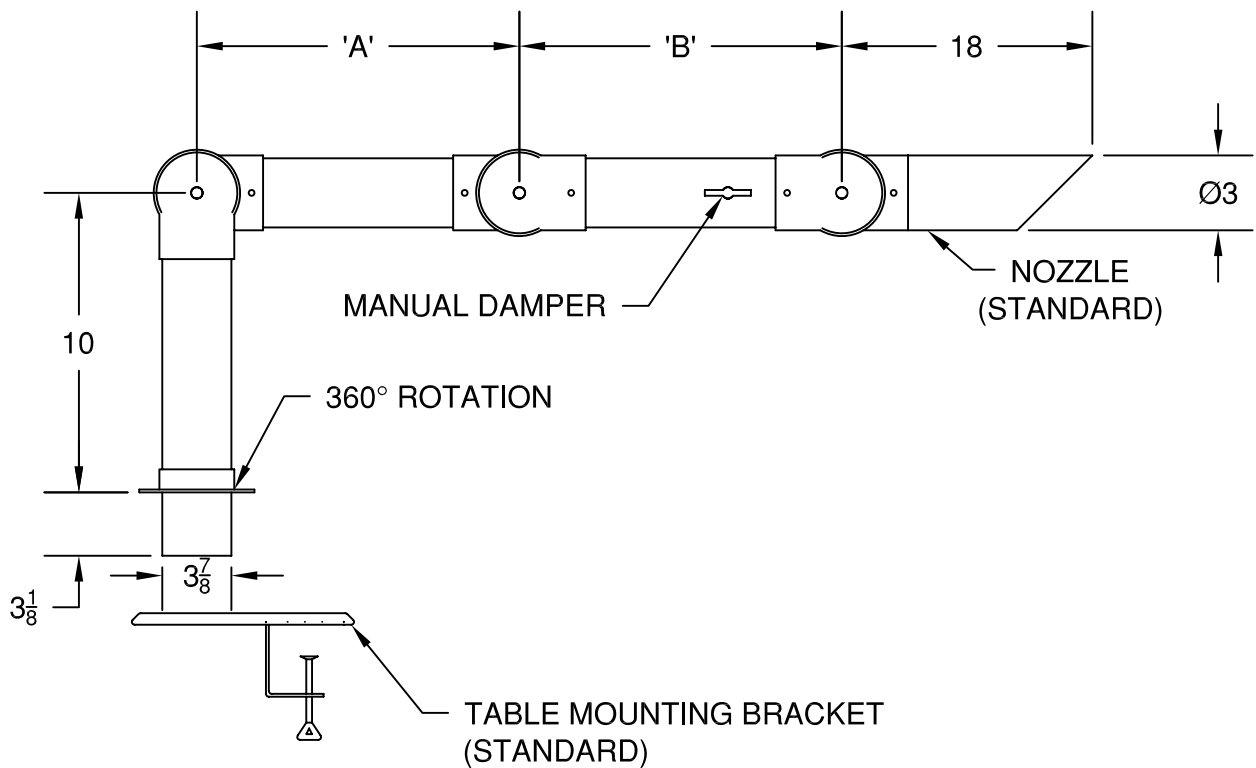
SALES ENGINEER:

ARCHITECT:

CONTRACTOR:

DATE:

MODEL-3 DIA	'A'	'B'	MAX RADIUS*
TMFA328	16	12	46
TMFA340	22	18	58
TMFA348	30	18	66



### SCHEDULE

ITEM	QTY	MODEL	REFERENCE

**NOTES:**

ALL DIMENSIONS ARE IN INCHES.

TUBING - ANODIZED ALUMINUM. JOINTS - POLYPROPYLENE, RESISTANT TO SOLVENTS & ACIDS. SUCTION TUBE - ANODIZED ALUMINUM (OTHER HOODS AVAILABLE).

\*MAX RADIUS WILL VARY DEPENDING ON HOOD.