

PROJECT:

LOCATION:

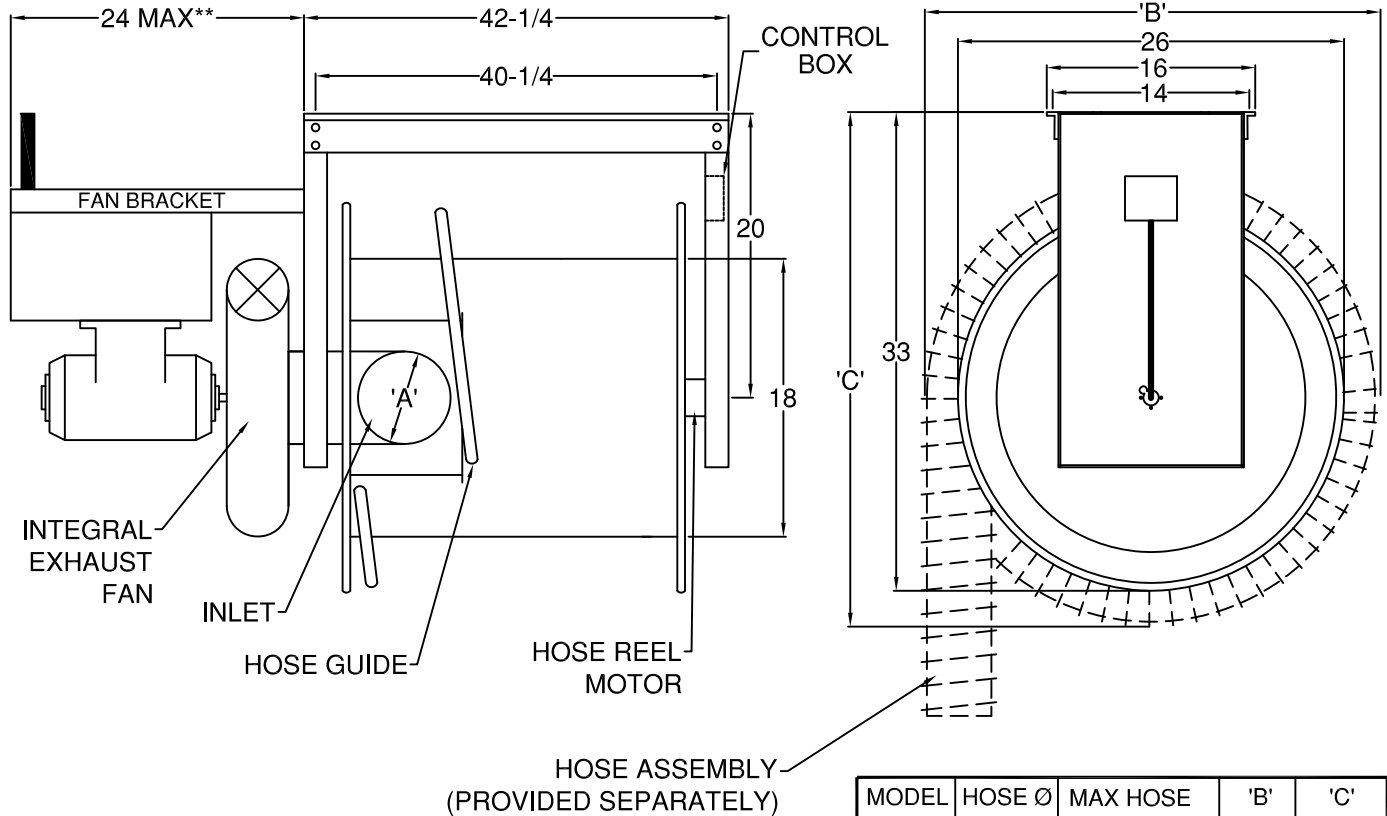
ENGINEER:

SALES ENGINEER:

ARCHITECT:

CONTRACTOR:

DATE:

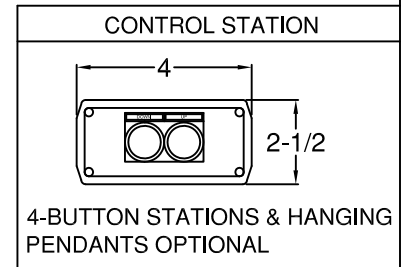


SPECIFICATIONS:

- DRUM: REINFORCED 14 GA. GALVANIZED STEEL
- DRUM SIDE PLATE: REINFORCED 16GA. GALVANIZED STEEL.
- FRAME BRACKETS: POWDER COATED 12 GA. GALVANIZED ANGULAR STEEL.
- FRAME SIDE PLATE: DOUBLE REINFORCED 12 GA. GALVANIZED STEEL.
- BEARINGS: SLEEVE BEARINGS.
- HOSE REEL MOTOR: 120/1/60, 3.5A, 400W, 11 RPM
- THERMAL OVERLOAD PROTECTION.
- INTEGRAL BRAKE & PUSH BUTTON LIMIT SWITCHES
- TOTALLY ENCLOSED TUBULAR CONSTRUCTION.
- CONTROL: 2-BUTTON STATION, MOMENTARY PUSH BUTTONS.
- FAN TO REEL MOUNT: POWDER COATED ANGULAR STEEL.

MODEL	HOSE Ø 'A'	MAX HOSE CAPACITY (FT)	'B'	'C'
TMHR30	3	41'	25	32-1/2
TMHR40	4	34'	27	33-1/2
TMHR50	5	29'	29	34-1/2
TMHR60	6	28'	31	35-1/2

FOUR Ø1/2" MOUNTING HOLES, 14" X 40-1/4 RECTANGULAR PATTERN.
* VARIES DEPENDING ON FAN MODEL.



SCHEDULE

ITEM	QTY	MODEL	HOSE TYPE	HOSE DIAMETER	HOSE LENGTH	REFERENCE

NOTES:

ALL DIMENSIONS IN INCHES UNLESS OTHERWISE SPECIFIED.
EXHAUST ADAPTER, FLEXIBLE HOSE, FAN AND PULL CABLE SPECIFIED ON SEPARATE DRAWING.