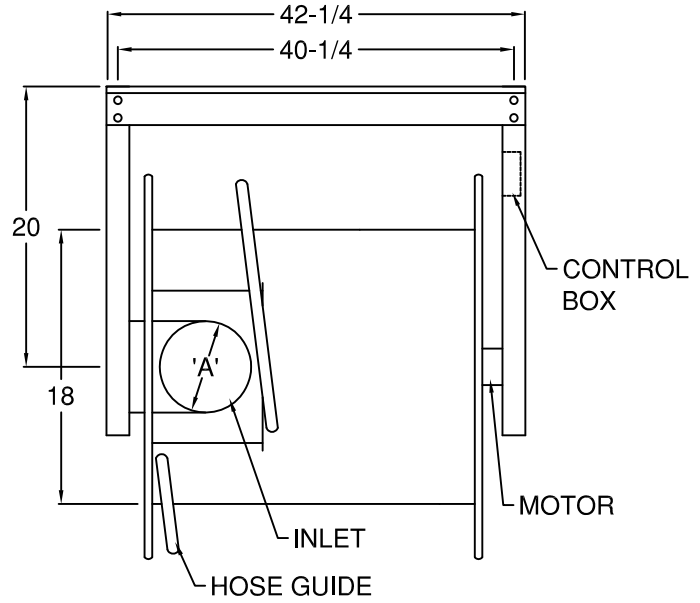
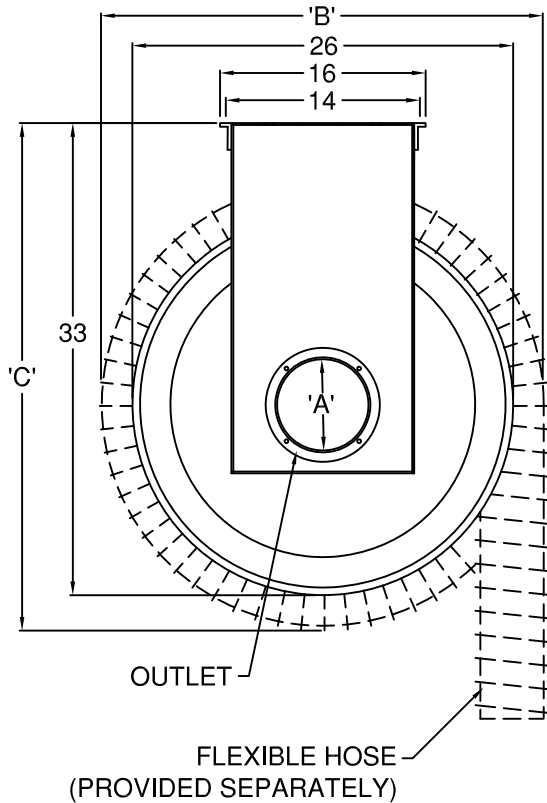


PROJECT: \_\_\_\_\_

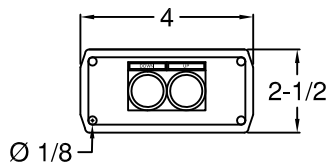
LOCATION: \_\_\_\_\_ ENGINEER: \_\_\_\_\_ SALES ENGINEER: \_\_\_\_\_

ARCHITECT: \_\_\_\_\_ CONTRACTOR: \_\_\_\_\_ DATE: \_\_\_\_\_



| MODEL  | HOSE Ø 'A' | HOSE CAPACITY STD* (FT) | 'B' | 'C'    |
|--------|------------|-------------------------|-----|--------|
| TMHR30 | 3          | 41'                     | 25  | 32-1/2 |
| TMHR40 | 4          | 34'                     | 27  | 33-1/2 |
| TMHR50 | 5          | 29'                     | 29  | 34-1/2 |
| TMHR60 | 6          | 28'                     | 31  | 35-1/2 |

**CONTROL STATION**



4-BUTTON STATIONS AND HANGING PENDANTS OPTIONAL

**SPECIFICATIONS:**

- DRUM:** 14 GA. GALVANIZED STEEL
- DRUM SIDE PLATE:** 16 GA. REINFORCED GALVANIZED STEEL.
- FRAME:** POWDER COATED 12 GA. GALVANIZED STEEL.
- BEARINGS:** SLEEVE BEARINGS.
- MOTOR:** 120/1/60, 3.5A, 400W, 11 RPM  
THERMAL OVERLOAD PROTECTION.
- INTEGRAL BRAKE & PUSH BUTTON LIMIT SWITCHES
- TOTALLY ENCLOSED TUBULAR CONSTRUCTION.

**CONTROL:** 2-BUTTON STATION, MOMENTARY PUSH BUTTONS.

FOUR Ø1/2" MOUNTING HOLES, 14" X 40-1/4" RECTANGULAR PATTERN

## SCHEDULE

| ITEM | QTY | MODEL | HOSE TYPE | HOSE LENGTH | REFERENCE |
|------|-----|-------|-----------|-------------|-----------|
|      |     |       |           |             |           |
|      |     |       |           |             |           |
|      |     |       |           |             |           |

**NOTES:**

ALL DIMENSIONS IN INCHES UNLESS OTHERWISE SPECIFIED.

\*CONSULT FACTORY FOR LARGER CAPACITIES OR NON-STANDARD DIAMETERS.