

PROJECT:

LOCATION:

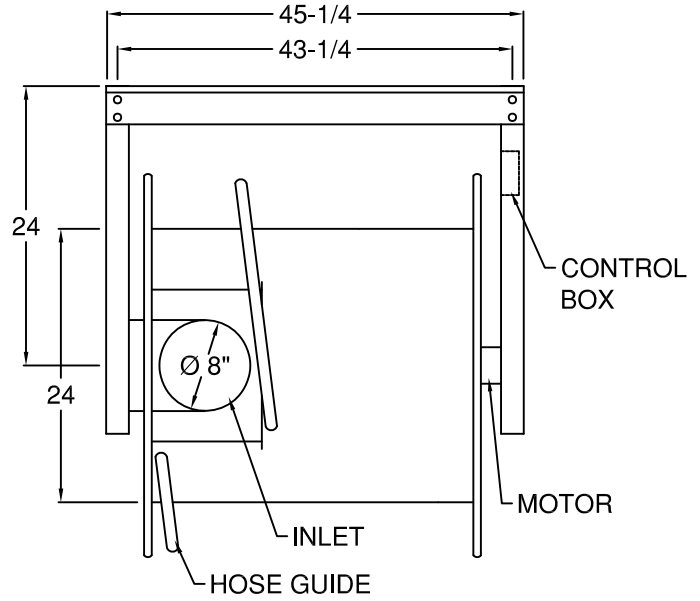
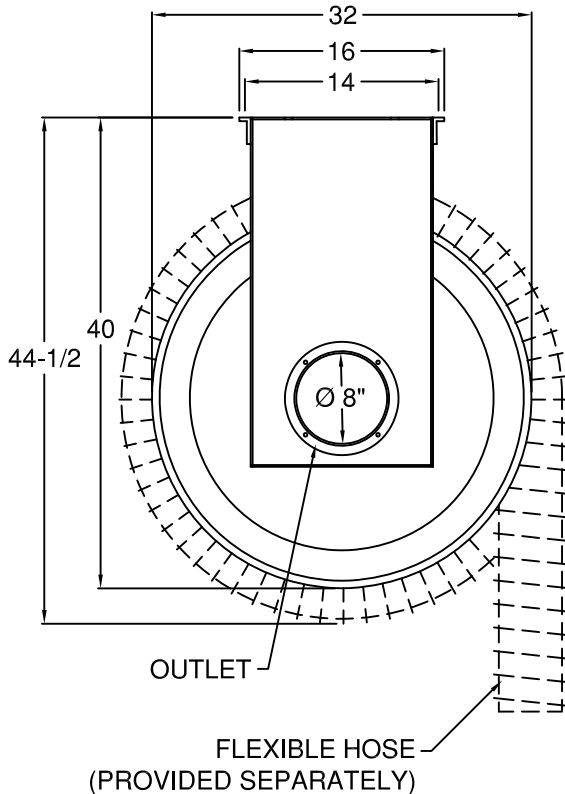
ENGINEER:

SALES ENGINEER:

ARCHITECT:

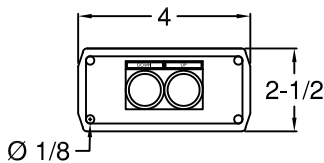
CONTRACTOR:

DATE:



MODEL	HOSE DIAMETER	HOSE CAPACITY (FT)
TMHR80	8	25'

CONTROL STATION



4-BUTTON STATIONS AND HANGING PENDANTS OPTIONAL

SPECIFICATIONS:

DRUM: 14 GA. GALVANIZED STEEL

DRUM SIDE PLATE: 16 GA. REINFORCED GALVANIZED STEEL.

FRAME: POWDER COATED 12 GA. GALVANIZED STEEL.

BEARINGS: SLEEVE BEARINGS.

MOTOR: 120/1/60, 5.3A, 620W, 10 RPM

THERMAL OVERLOAD PROTECTION.

INTEGRAL BRAKE & PUSH BUTTON LIMIT SWITCHES

TOTALLY ENCLOSED TUBULAR CONSTRUCTION.

CONTROL: 2-BUTTON STATION, MOMENTARY PUSH BUTTONS.

FOUR Ø1/2" MOUNTING HOLES, 14" X 43-1/4" RECTANGULAR PATTERN

SCHEDULE

ITEM	QTY	HOSE TYPE	HOSE LENGTH	REFERENCE

NOTES:

ALL DIMENSIONS IN INCHES UNLESS OTHERWISE SPECIFIED.

*CONSULT FACTORY FOR LARGER CAPACITIES OR NON-STANDARD DIAMETERS.