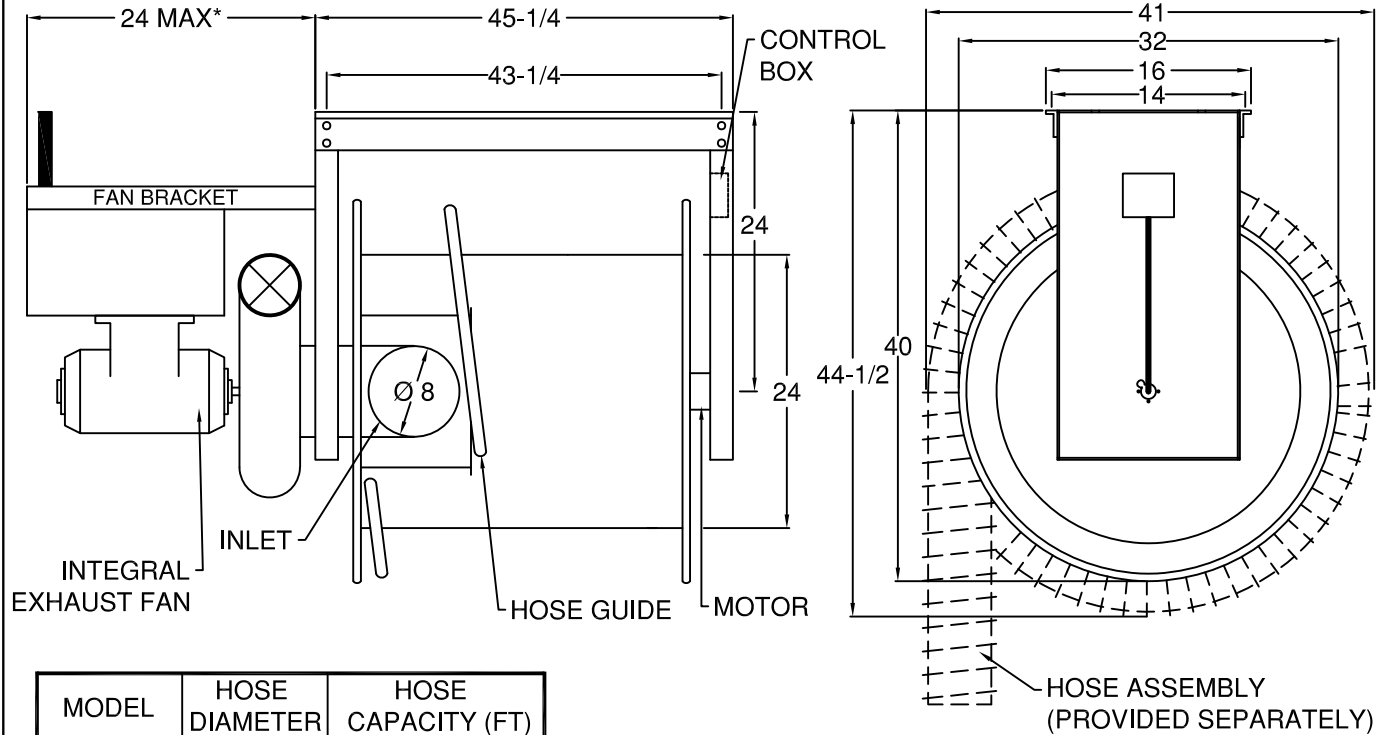


PROJECT:

LOCATION:	ENGINEER:	SALES ENGINEER:
ARCHITECT:	CONTRACTOR:	DATE:



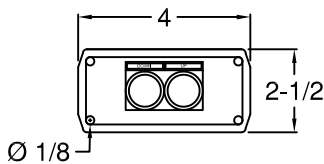
MODEL	HOSE DIAMETER	HOSE CAPACITY (FT)
TMHR80L	8	30'

**SPECIFICATIONS:**

- DRUM: 14 GA. GALVANIZED STEEL
- DRUM SIDE PLATE: REINFORCED 16 GA. GALVANIZED STEEL.
- FRAME: POWDER COATED 12 GA. GALVANIZED STEEL.
- FRAME SIDE PLATE: DOUBLE REINFORCED 12 GA. GALVANIZED STEEL.
- BEARINGS: SLEEVE BEARINGS.
- MOTOR: 120/1/60, 5.3A, 620W, 10 RPM
- THERMAL OVERLOAD PROTECTION.
- INTEGRAL BRAKE & PUSH BUTTON LIMIT SWITCHES
- TOTALLY ENCLOSED TUBULAR CONSTRUCTION.
- CONTROL: 2-BUTTON STATION, MOMENTARY PUSH BUTTONS.

FOUR Ø1/2" MOUNTING HOLES, 14" X 43-1/4" RECTANGULAR PATTERN  
\* VARIES DEPENDING ON FAN TYPE.

**CONTROL STATION**



4-BUTTON STATIONS AND HANGING PENDANTS OPTIONAL

## SCHEDULE

ITEM	QTY	HOSE TYPE	HOSE LENGTH	REFERENCE

**NOTES:**

ALL DIMENSIONS IN INCHES UNLESS OTHERWISE SPECIFIED.  
CONSULT FACTORY FOR LARGER CAPACITIES OR NON-STANDARD DIAMETERS.