



# SUBMITTAL

# MOTORIZED HOSE REEL 8" DIAMETER

PROJECT:

LOCATION:

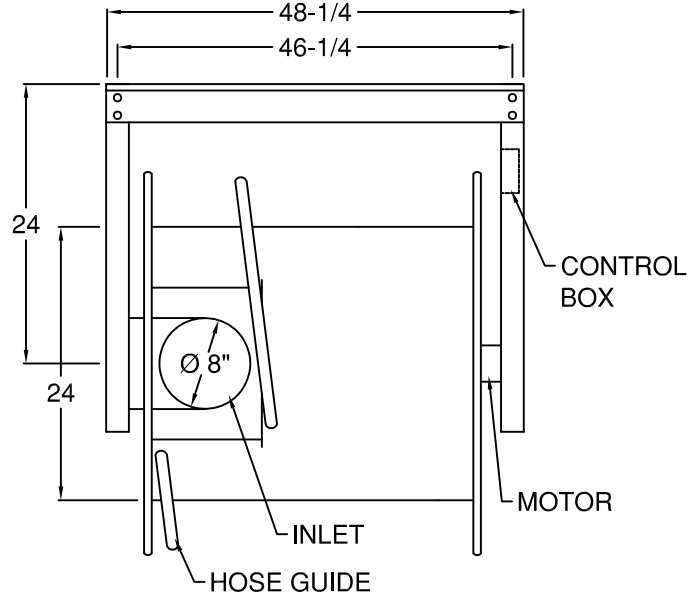
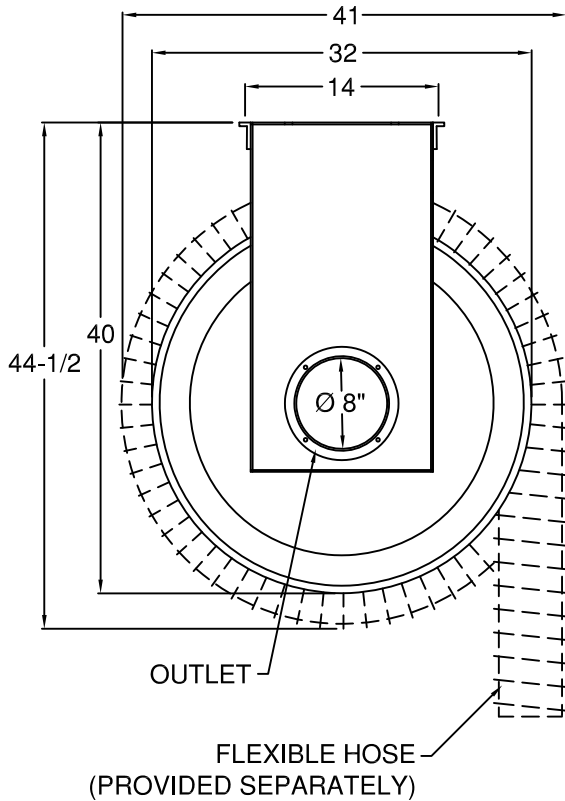
ENGINEER:

SALES ENGINEER:

ARCHITECT:

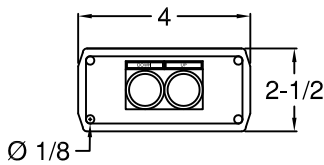
CONTRACTOR:

DATE:



MODEL	HOSE Ø	HOSE CAPACITY (FT)
TMHR80XL	8	38'

**CONTROL STATION**



4-BUTTON STATIONS AND HANGING PENDANTS OPTIONAL

**SPECIFICATIONS:**

- DRUM:** 14 GA. GALVANIZED STEEL
- DRUM SIDE PLATE:** 16 GA. REINFORCED GALVANIZED STEEL.
- FRAME:** POWDER COATED 12 GA. GALVANIZED ANGLE STEEL.
- BEARINGS:** SLEEVE BEARINGS.
- MOTOR:** 120/1/60, 5.3A, 630W, 10 RPM
- THERMAL OVERLOAD PROTECTION.
- INTEGRAL BRAKE & PUSH BUTTON LIMIT SWITCHES
- TOTALLY ENCLOSED TUBULAR CONSTRUCTION.
- CONTROL:** 2-BUTTON STATION, MOMENTARY PUSH BUTTONS.
- FOUR Ø1/2" MOUNTING HOLES, 14" X 46-1/4" RECTANGULAR PATTERN

## SCHEDULE

ITEM	QTY	HOSE TYPE	HOSE LENGTH	REFERENCE

**NOTES:**

ALL DIMENSIONS IN INCHES UNLESS OTHERWISE SPECIFIED.  
CONSULT FACTORY FOR LARGER CAPACITIES OR NON-STANDARD SIZES.