

PROJECT:

LOCATION:

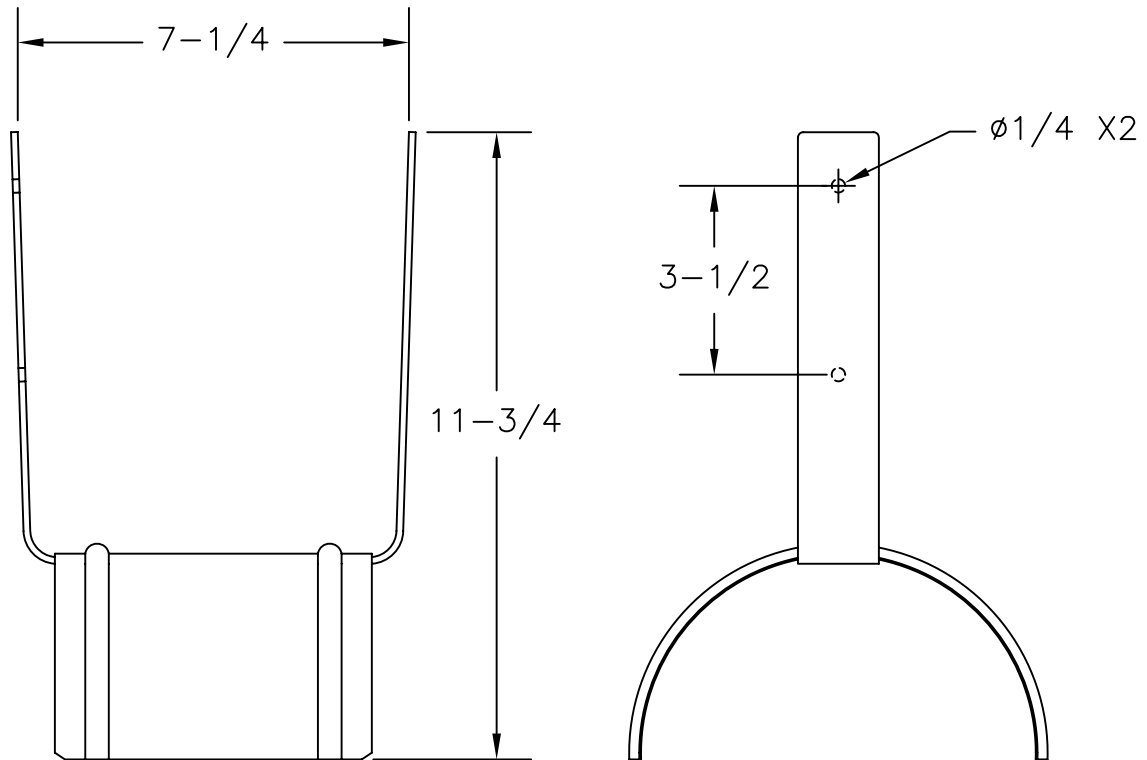
ENGINEER:

SALES ENGINEER:

ARCHITECT:

CONTRACTOR:

DATE:



### SCHEDULE

ITEM	QTY	MODEL	REFERENCE

NOTES:  
ALL DIMENSIONS ARE IN INCHES.  
HEAVY GAUGE GALVANIZED STEEL CONSTRUCTION.