

PROJECT:

LOCATION:

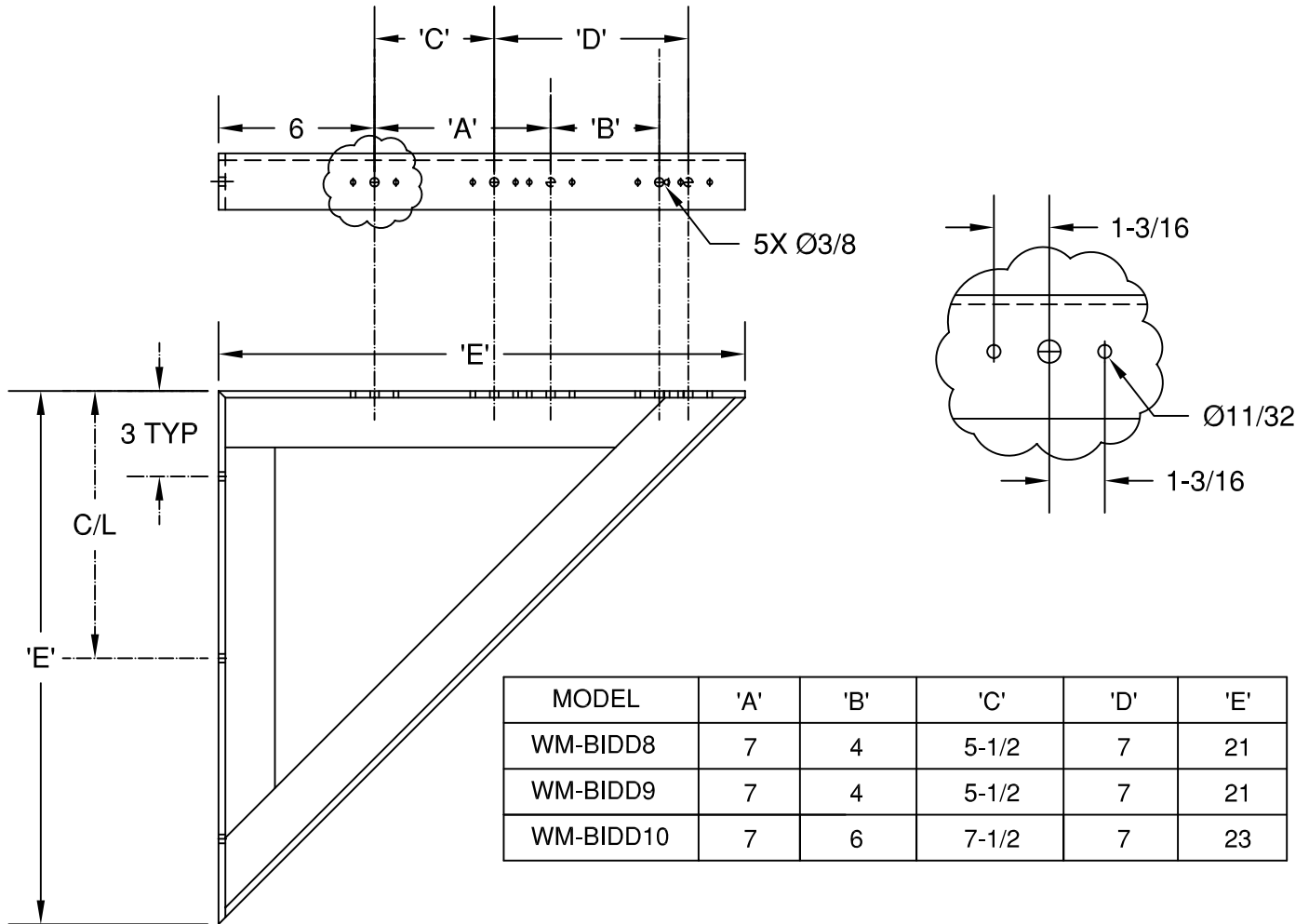
ENGINEER:

SALES ENGINEER:

ARCHITECT:

CONTRACTOR:

DATE:



### SCHEDULE

ITEM	QTY	MODEL	REFERENCE

**NOTES:**

ALL DIMENSIONS ARE IN INCHES.

FRAME - 1-1/2 x 1-1/2 x 1/8 PAINTED STEEL ANGLE.

EACH FAN REQUIRES 2 BRACKETS.

\*HOLES USING DIMENSIONS 'C' & 'D' ARE FOR OPTIONAL ARRANGEMENT.