

PROJECT:

LOCATION:

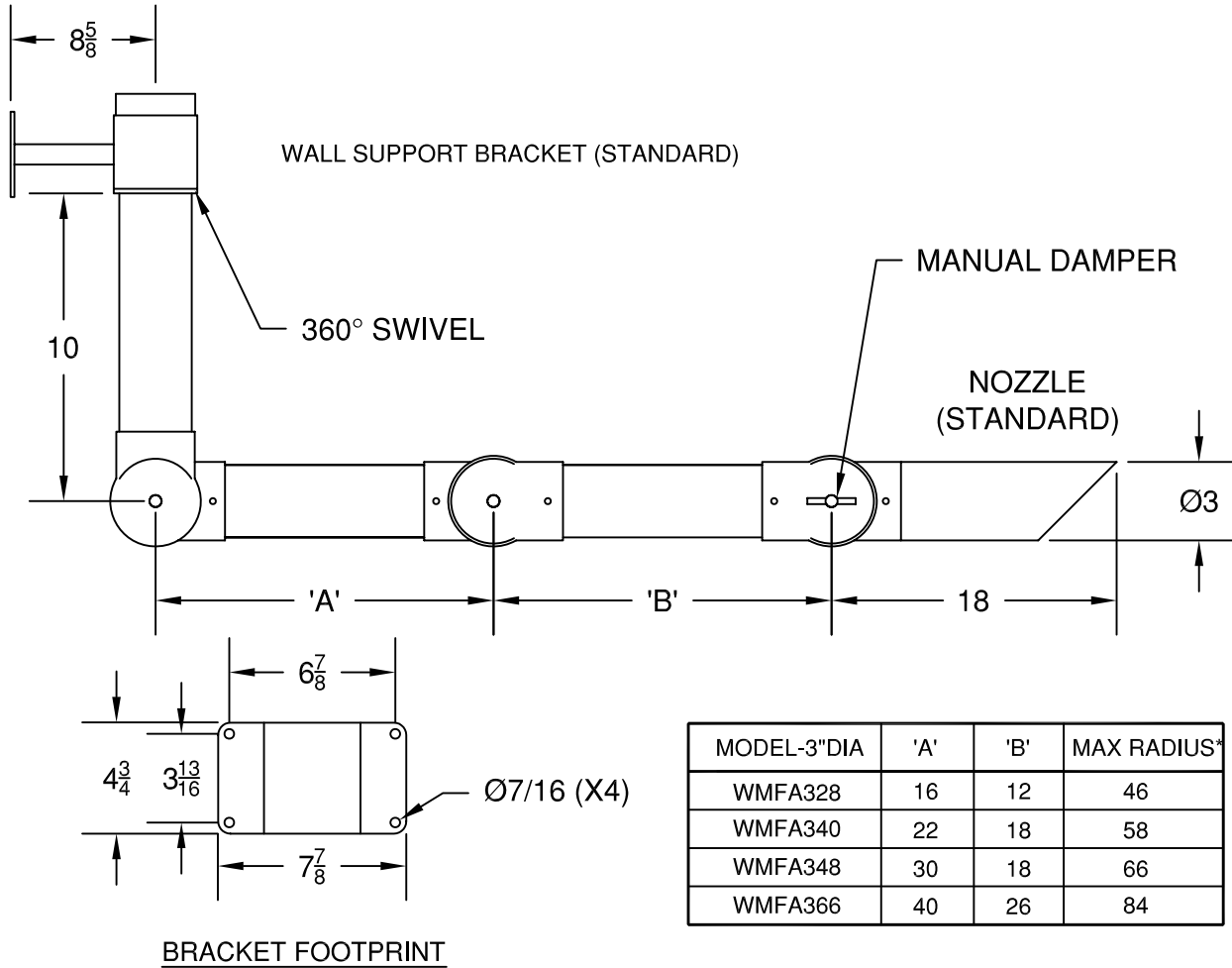
ENGINEER:

SALES ENGINEER:

ARCHITECT:

CONTRACTOR:

DATE:



SCHEDULE

| ITEM | QTY | MODEL | REFERENCE |
|------|-----|-------|-----------|
| | | | |
| | | | |

NOTES:

ALL DIMENSIONS ARE IN INCHES.

TUBING - ANODIZED ALUMINUM. JOINTS - POLYPROPYLENE, RESISTANT TO SOLVENTS & ACIDS. WALL MOUNTING BRACKET - EPOXY COATED STEEL, W/360° SWIVEL. SUCTION TUBE - ANODIZED ALUMINUM (OTHER HOODS AVAILABLE).

*MAX RADIUS WILL VARY DEPENDING ON HOOD.