

PROJECT:

LOCATION:

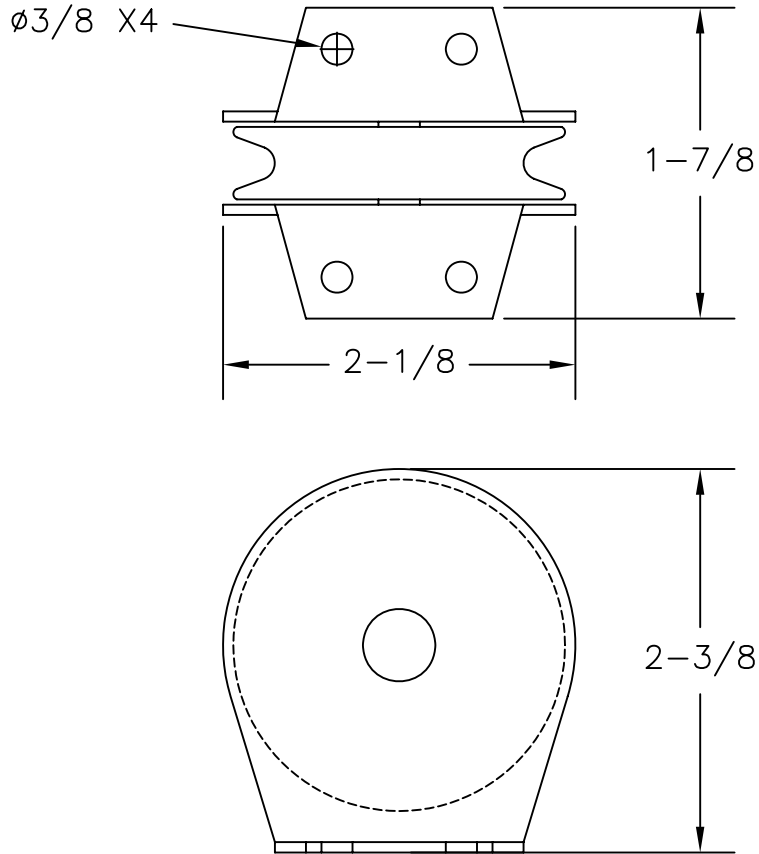
ENGINEER:

SALES ENGINEER:

ARCHITECT:

CONTRACTOR:

DATE:



SCHEDULE

ITEM	QTY	MODEL	REFERENCE

NOTES:
ALL DIMENSIONS ARE IN INCHES.
CONSTRUCTION - ZINC COATED STEEL.